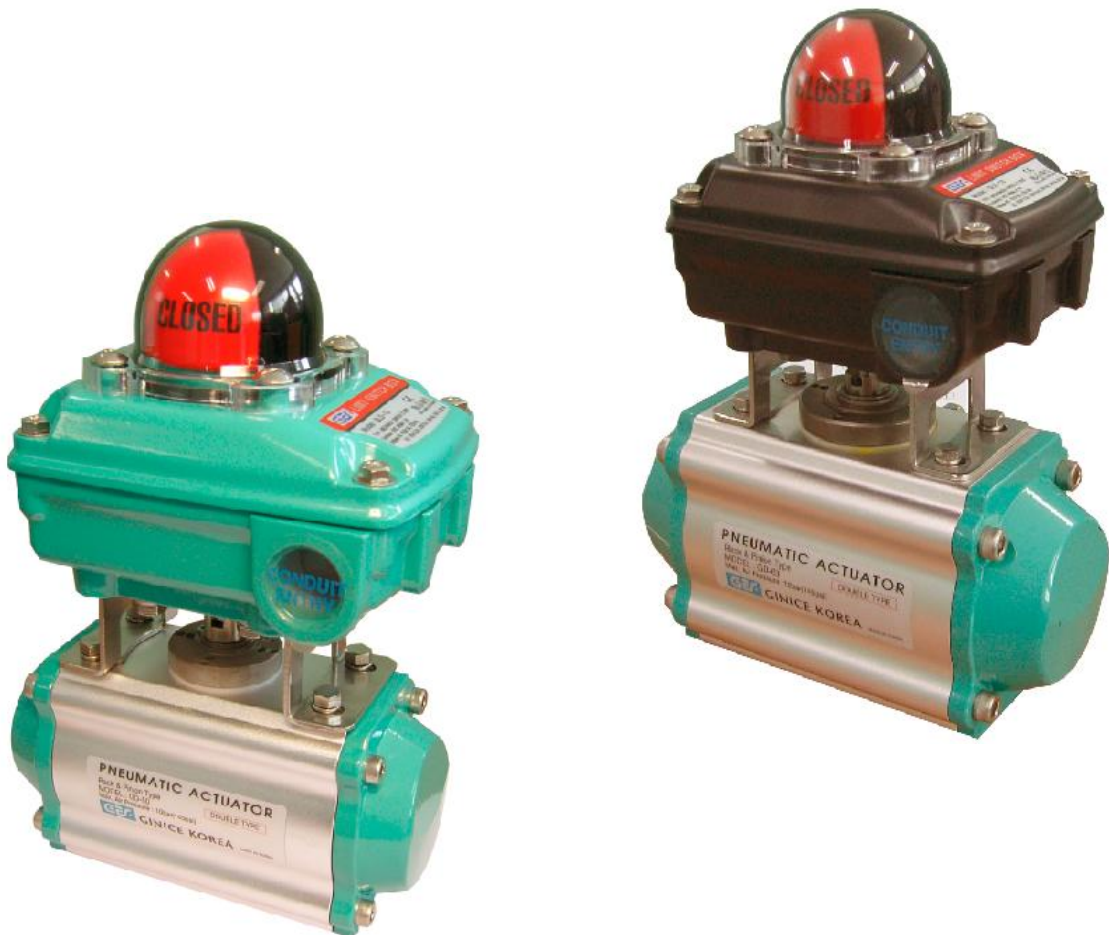


- \ *High sensitivity*
- \ *Compact design*
- \ *Easy maintenance*
- \ *Various options*



GINICE KOREA  
Ginice Bldg, 202-4, Chuneui-Dong, Wonmi-Gu,  
Bucheon, Gyeonggi-Do, Korea (☎) 420-857  
TEL : +82-32-666-9946  
FAX : +82-32-666-9949  
[http : //www.ginice.com](http://www.ginice.com)  
E-mail : ginicegood@ginice.co.kr



(GREEN)



(BLACK)

## Features

- 1. Visual Position Indicator.
- 2. "Quick -Set" cam : Limit Switch adjustment cams are splined and spring loaded, the switch cam position can be quickly adjust with tools (close-up, open-down)
- 3. Multipoint terminal strip : Terminal strip number with 8 contracts is standard for micro switches  
There are connected solenoid valve service.
- 4. Dual 1/2" conduit entries : 2×1/2" PF (standard)
- 5. captive cover Bolts : There are desinged to bo captive by the cover, when it removed.
- 6. Easy Mounting Bracket : Any actuator for rotary motion can be easily mounted in ISO 5211.

## Specification



Specification	Standard	Option	Material	
Enclosure Protection	Weather proof, IP67/NEMA4 & 4X		Housing	Aluminium die-casting
Ambient temp.	-20°C...+80°C		Shaft	Stainless steel
Conduit Entry	2×1/2" PF	NPT 1/2", M20	Indicator Cover	Polycarbonate
Switches	Mechanical switches ×2 Proximity Sensor ×2		Indicator	ABS / Polycarbonate
Terminal	8 Points		Cam	Polycarbonate
Shaft	Standard shaft (17mm)		Spring	Stainless steel
External coating	Polyestor Powder Green, Black Coating		O-ring	NBR
Weight	880g		Bracket	Stainless steel

## Mounting Bracket (Namur standard)

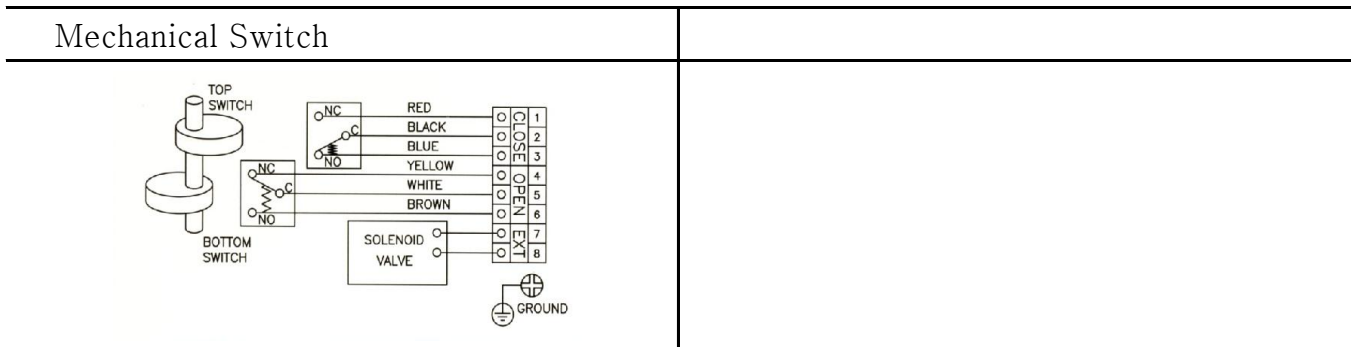


Model No.	Application	Material
A	30 × 80 H : 20(기본)	Stainless steel
B	30 × 80 H : 30	Stainless steel

# Switches

Mechanical Switch	Proximity Switch
 <ul style="list-style-type: none"> <li>● Standard switch : SS5GL (OMRON) 2SPDT switches voltage AC : 250V/3A, 125V/5A DC : 250V/0.2A, 125V/0.4A, 30V/4A</li> <li>● Optional switch : SS10GL (OMRON) 2SPDT switches voltage AC : 250V/10.1A, 125V/10.1A DC : 250V/0.2A, 125V/0.4A, 30V/4A</li> </ul>	 <ul style="list-style-type: none"> <li>● Standard sensor : PS17-5DNU (AUTONICS) Inductive proximity sensor Operating Voltage : 12~24V DC Allowable Voltage : 12~30V DC Operating Distance : 5mm</li> <li>● Optional sensor : NJ2-V3-N (P&amp;F) Inductive proximity sensor Operating Voltage : 0~25V DC Operating Distance : 2mm</li> </ul>

# Wiring Diagrams



# Dimension

