

Panel Actuators and Indicators

Type PL 22

Buzzer and Flashing Buzzer



- Ø 22mm (Ø 0.87") dimension
- Buzzer
- Interrupted sound
- Flashing type
- AC and DC voltage
- cULus and CE
- IEC/EN 60947-5-1, IEC/EN 60073, IEC/EN 60529, UL 508

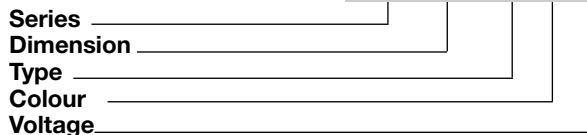


Product description

Pilot lights and Buzzer are panel mounted device assemblies consisting of the housing, an internal lamp or buzzer, terminals, and a cover. Applications include industrial control panels of all types, equipment indicator panels, status alarm indicator. The buzzer volume is 95dB @ 10cm (3.94"), the current is 20mA.

Ordering key

PL 22S BZ R 24



Dimension and style

22S = Ø22mm (Ø0.87") standard size

Approvals



Technical data

Rated imp. withstand voltage U _{imp}	2500VAC 50Hz 1min.
Rated insulation Voltage U _i	500VAC
Allowable voltage fluctuation	±20%
Continuous operating life	≥100.000h
Ultrahigh brightness	≥100cd/m ² (≥9.29ftc)
Applying frequency	50-60Hz
Current consumption (AC/DC)	15-20mA
Sound volume	95dB @ 10cm (3.94")
Operating temperature	-25 to +70°C (-13 to +158°F)
Storage temperature	-30 to +80°C (-22 to +176°F)
Degree of protection	IP 40

Types

BZ = Buzzer FBZ= Flashing buzzer

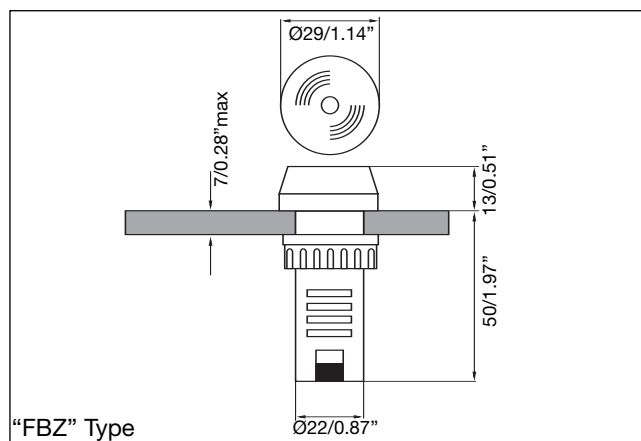
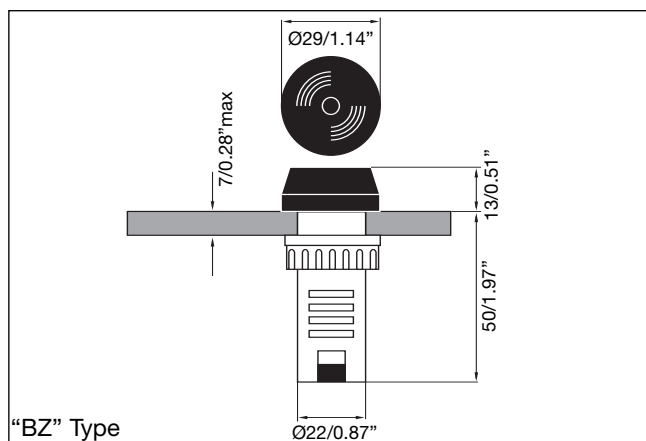
Colours

R = Red only for FBZ type
 K = Black only for BZ type

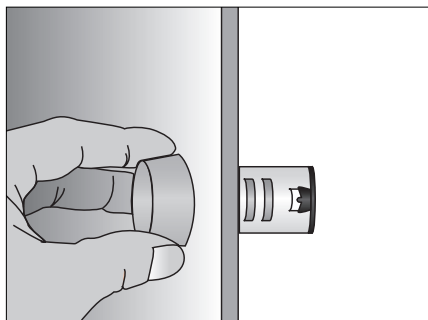
Voltages

06 = 6VAC/DC	110 = 110VAC/DC
12 = 12VAC/DC	220D = 220VDC
24 = 24VAC/DC	220A = 220VAC
48 = 48VAC/DC	380A = 380VAC

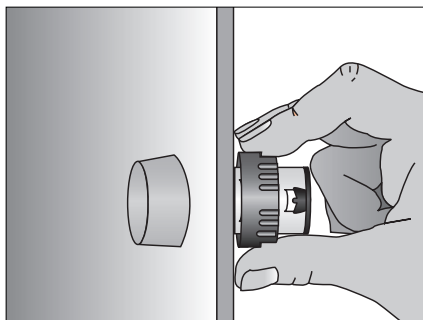
Dimensions mm/inches



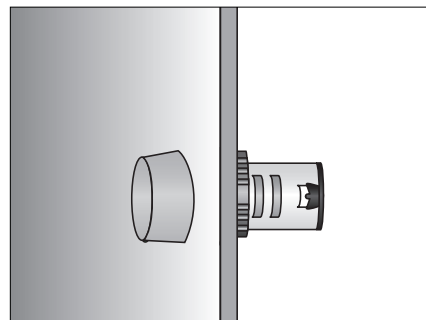
Mounting



Just insert the pilot light into the hole of the pannel.

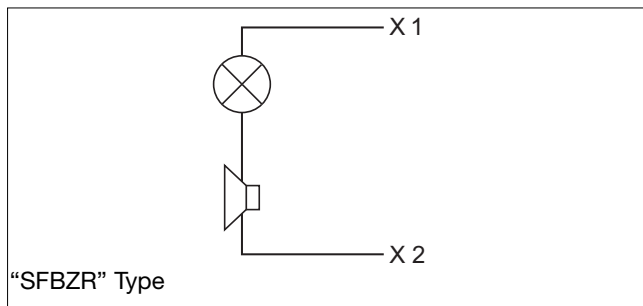
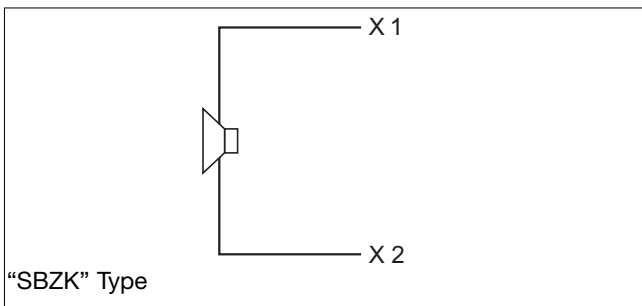


The pilot light will be secured at the back by the plastic nut



The pilot light has been installed.

Wiring Diagram



Wiring Notes

- 1) Use 60°C or 75°C copper (CU) conductor and wire size range 18AWG, stranded or solid.
- 2) Terminal tightening torque 0.6Nm (5.3in.lb)
- 3) Recommended external fuse - listed or R/C fuses, Supplemental (JDYX, JDYX2) rated 3A maximum.

Accessories for Panel Indicators



Reducing ring for Pilot Light Ø22mm (0.87")

To mount the Ø22mm (0.87") pilot light into the hole for Ø25mm (0.98") of the panel.

ABS

Ø25mm/Ø0.98"



Fastening connector for Pilot Light Ø22mm (0.87")

Improve the quality of installation and reduce the time of installations.

PC

PA PL CONN



Panel hole cap Ø22mm (0.87")

For blocking up prepared or useless holes on the panels.

ABS

PA PHC 22