


# FILTERS AC 3 PHASE SERIES FILTERS

## AC 3-Phase 3-Line Series Filters

Filetmc

### Features & Applications

- Low leakage current, small size
- Widely used in many kinds of electronic equipments with connection way "△", such as printer, packing machine, textile equipment, industrial air conditioner, UPS, X-ray, CT and so on
- Medical appliances optional (H type)
- Safety approval: 



FT310 Series

RoHS

### Technical data

Rated Voltage	250/440VAC		Rated Current@40°C	0.5A~1600A
Test Voltage	line-line	2250VDC	Climatic Category	25/085/21
	line-ground	2700VDC	Operating Frequency	50/60Hz

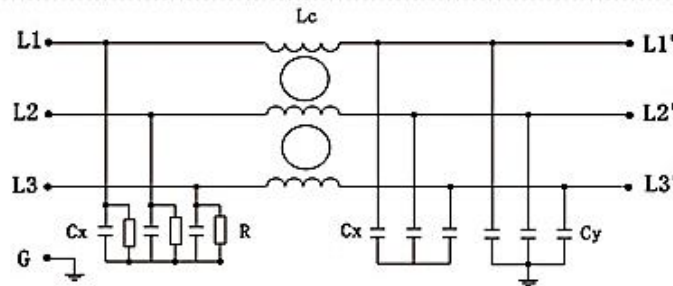
### Tabulates

Part No.	Rated current @40°C	Leakage current 250VAC/50Hz @20°C	Dimension	Termination	Weight (g)
					
FT310-6	6A	<2.0mA	Fig.1	M4	380
FT310-10	10A	<2.0mA	Fig.1	M4	510
FT310-20	20A	<2.0mA	Fig.1	M4	600
FT310-30	30A	<2.0mA	Fig.2	M6	640
FT310-40	40A	<2.0mA	Fig.2	M6	640
FT310-50	50A	<3.0mA	Fig.3	M6	1000
FT310-80	80A	<7.0mA	Fig.4	M8	3000
FT310-100	100A	<7.0mA	Fig.4	M8	3000
FT310-150	150A	<7.0mA	Fig.4	M10	3200
FT310-200	200A	<7.0mA	Fig.4	M10	3200

★ medical appliance series filters(H type) The leakage current is less than 2μA under the condition 250VAC/50HZ@20°C

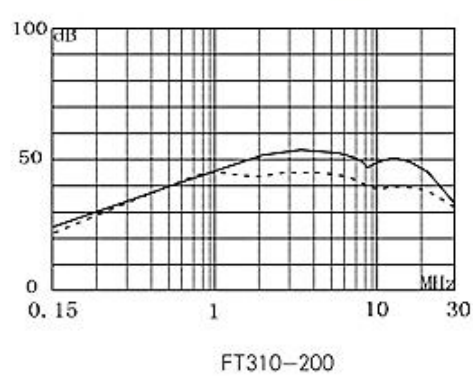
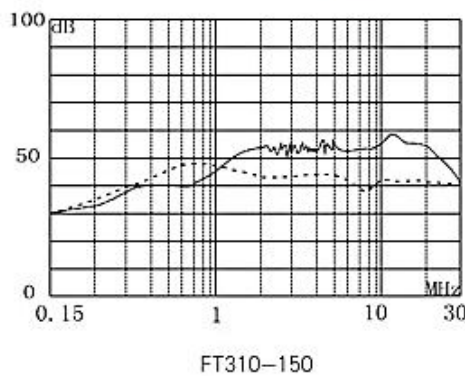
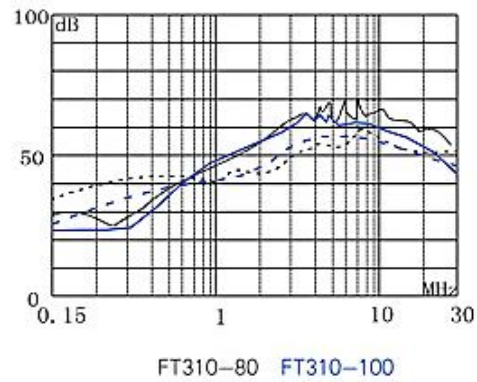
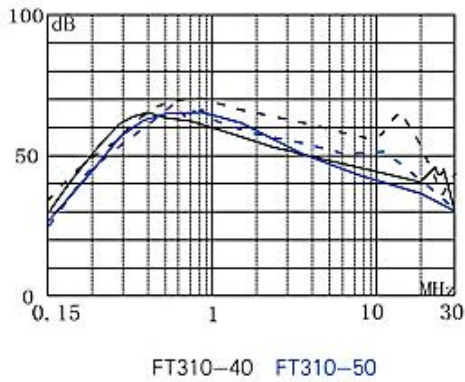
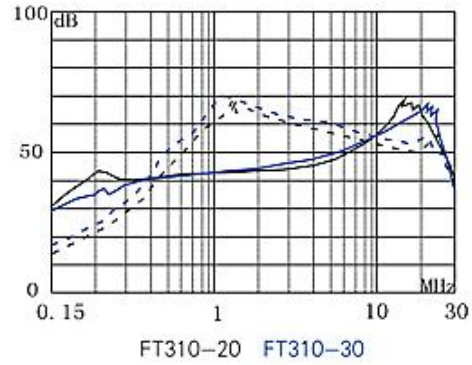
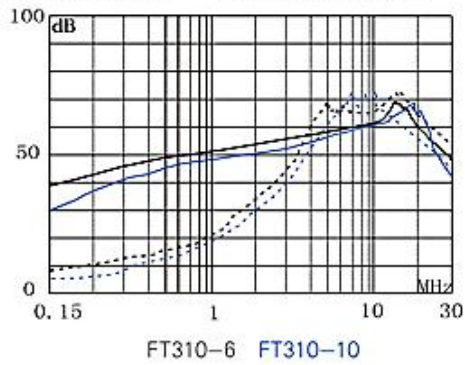
# FILTERS AC 3 PHASE SERIES FILTERS

## Electrical schematics



## Insertion loss(dB)

— common mode ---- differential mode



# FILTERS AC 3 PHASE SERIES FILTERS

## Outline drawing and dimensions(mm)

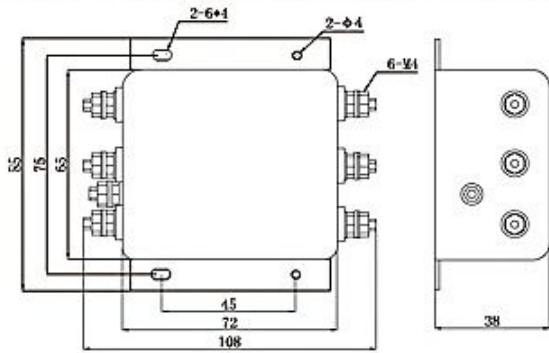


Fig. 1

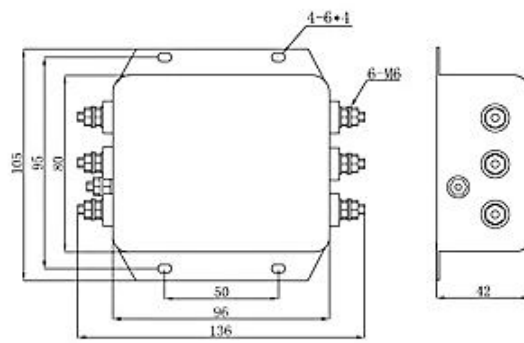


Fig. 2

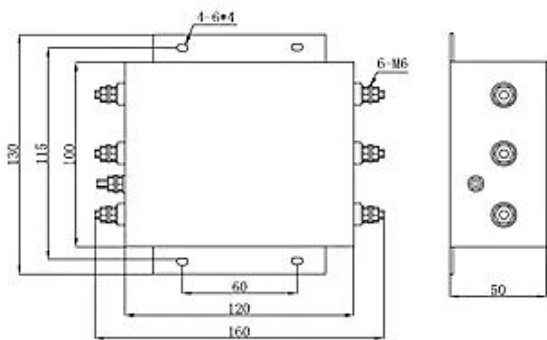


Fig. 3

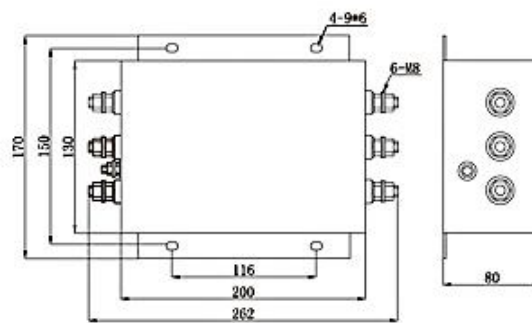


Fig. 4