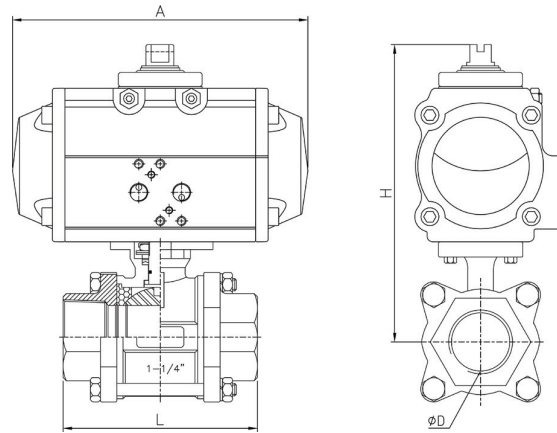


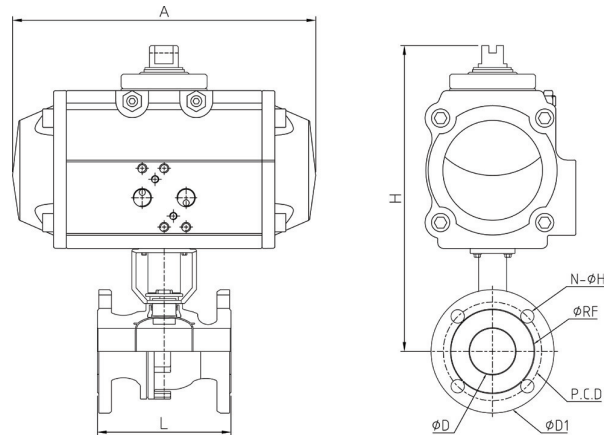
# GD-SERISE / GS-SERISE

## 3PIECE SCREWED BALL VALVE



SIZE		Valve	Actuator	ød	L [mm]	H [mm]	A [mm]	Stem [mm]	ISO5211 PCD
Inch	mm								
3/8"	10A	DV23-10	GD-35	12.8	63.5	109	111	9	F03,F05
			GS-50			126	144	11	F03,F05
1/2"	15A	DV23-15	GD-35	15	63.5	109	111	9	F03,F05
			GS-50			126	144	11	F03,F05
3/4"	20A	DV23-20	GD-35	20	72.5	117	111	9	F03,F05
			GS-50			134	144	11	F03,F05
1"	25A	DV23-25	GD-50	25	81	142.5	144	11	F03,F05
			GS-63			164.5	166	14	F05,F07
1-1/4"	32A	DV23-32	GD-50	32	94.5	148	144	11	F03,F05
			GS-75			187	213	17	F05,F07
1-1/2"	40A	DV23-40	GD-63	40	108	185.8	166	11	F05,F07
			GS-75			202.8	213	17	F05,F07
2"	50A	DV23-50	GD-63	50	121.5	194.5	166	11	F05,F07
			GS-100			235.5	296	17	F07,F10
2-1/2"	65A	DV23-65	GD-88	65	157.5	244.8	253	17	F05,F07
			GS-100			260.8	296	17	F07,F10

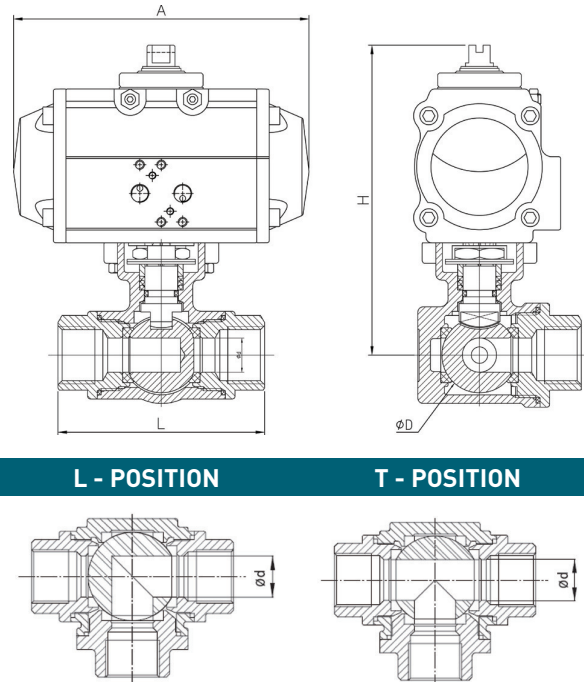
## 2WAY FLANGED BALL VALVE



SIZE		Valve	Actuator	ød	L [mm]	H [mm]	A [mm]	øRF	PCD [mm]	øD1	N-øH	Stem [mm]	ISO5211 PCD
Inch	mm												
1/2"	15A	BV2-15	GD-35	15	108	133	111	52	70	95	4-15	9	F03,F05
			GS-50			150	144					11	F03,F05
3/4"	20A	BV2-20	GD-50	20	117	150	144	58	75	100	4-15	11	F03,F05
			GS-50			150	144					11	F03,F05
1"	25A	BV2-25	GD-63	25	127	172	166	70	90	125	4-19	14	F05,F07
			GS-63			172	166					14	F05,F07
1-1/4"	32A	BV2-32	GD-63	32	140	172	166	80	100	135	4-19	14	F05,F07
			GS-75			189	213					17	F05,F07
1-1/2"	40A	BV2-40	GD-75	40	165	200	213	85	105	140	4-19	17	F05,F07
			GS-88			208	253					17	F05,F07
2"	50A	BV2-50	GD-75	50	178	200	213	100	120	155	4-19	17	F05,F07
			GS-100			224	296					17	F07,F10
2-1/2"	65A	BV2-65	GD-88	65	190	208	253	120	140	175	4-19	17	F05,F07
			GS-125			267	352					22	F07,F10
3"	80A	BV2-80	GD-88	80	203	223	253	130	150	185	8-19	17	F05,F07
			GS-125			282	352					22	F07,F10
4"	100A	BV2-100	GD-100	100	229	239	296	155	175	210	8-19	17	F07,F10
			GS-125			282	352					22	F07,F10
5"	125A	BV2-125	GD-125	125	356	295	352	185	210	250	8-23	22	F07,F10
			GS-145			311.5	438.6					27	F10,F12
6"	150A	BV2-150	GD-170	125	356	343	561.3	185	210	250	8-23	27	F10,F12
			GS-170			343	561.3					27	F10,F12
8"	200A	BV2-200	GD-190	125	356	374	601.8	185	210	250	12-23	36	F10,F14
			GS-210			393.8	639					36	F12,F16
10"	250A	BV2-250	GD-190	125	356	414	601.8	185	210	250	12-25	36	F10,F14
			-			-	-					-	-
12"	300A	BV2-300	GD-210	125	356	443.8	639	185	210	250	16-25	36	F10,F14
			-			-	-					-	-

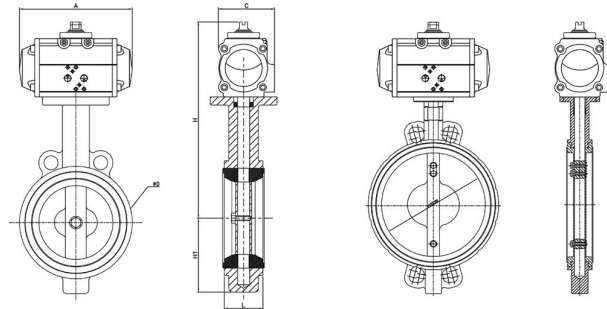
# GD-SERISE / GS-SERISE

## 3WAY SCREWED BALL VALVE



SIZE		Valve	Actuator	Ød	L [mm]	H [mm]	A [mm]	Stem [mm]	ISO5211
Inch	mm								PCD
3/8"	10A	DV30-10	GD-35	11	72	110.5	111	9	F03,F05
			GS-50	11	72	127.5	144	11	F03,F05
1/2"	15A	DV30-15	GD-35	12	72	110.5	111	9	F03,F05
			GS-50	12	72	149.5	144	11	F03,F05
3/4"	20A	DV30-20	GD-50	15	83	131	144	11	F03,F05
			GS-63	15	83	153	166	14	F05,F07
1"	25A	DV30-25	GD-50	20	99	138	144	11	F03,F05
			GS-63	20	99	160	166	14	F05,F07
1-1/4"	32A	DV30-32	GD-50	25	112	144	144	11	F03,F05
			GS-63	25	112	166	166	14	F05,F07
1-1/2"	40A	DV30-40	GD-63	32	125	174	166	14	F05,F07
			GS-75	32	125	191	213	17	F05,F07
2"	50A	DV30-50	GD-63	38	149	185	166	14	F05,F07
			GS-75	38	149	202	213	17	F05,F07

# BUTTERFLY VALVE



SIZE		Valve	Actuator	øD	L [mm]	H [mm]	H1 [mm]	A [mm]	Stem [mm]	ISO5211 (PCD)
Inch	mm									
1-1/2"	40A	BF2-40	GD-50	40	40	209	54	144	11	F03,F05
			GS-50			209		144		F03,F05
2"	50A	BF2-50	GD-50	52	43	219	68	144	11	F03,F05
			GS-63			241		166		F05,F07
2-1/2"	65A	BF2-65	GD-63	64	46	249	77	166	14	F05,F07
			GS-75			266		213		F05,F07
3"	80A	BF2-80	GD-75	76	46	285	84	213	17	F05,F07
			GS-88			293		253		F05,F07
4"	100A	BF2-100	GD-75	101	52	298	105	213	17	F05,F07
			GS-100			322		296		F07,F10
5"	125A	BF2-125	GD-88	126	56	322	120	253	17	F05,F07
			GS-100			338		296		F05,F07
6"	150A	BF2-150	GD-88	149	56	336	135	253	17	F05,F07
			GS-125			395		352		F07,F10
8"	200A	BF2-200	GD-125	196	60	432	183	352	22	F07,F10
			GS-145			449		438.6		F10,F12
10"	250A	BF2-250	GD-145	244	68	498	223	438.6	27	F10,F12
			GS-170			529		561.3		F10,F12
12"	300A	BF2-300	GD-170	294	78	557	255	561.3	27	F10,F12
			GS-190			578		601.8		F10,F14
14"	350A	BF2-350	GD-190	333	78	604	280	601.8	36	F10,F14
			GS-210			624		639		F12,F16
16"	400A	BF2-400	GD-210	333	78	662	310	639	36	F12,F16
			GS-210			662		639		F12,F16
18"	450A	BF2-450	GD-210	333	78	684	350	639	36	F12,F16
			-			-		-		-



2014. 09 / designed by PRINPARK



#### (주) 지니스

우) 420-857 경기도 부천시 원미구 부천로 186번길 15 (춘의동)  
전화 : 032-666-9946 | 팩스 : 032-666-9949  
E-mail : ginicegood@ginice.co.kr  
www.ginice.co.kr

#### GINICE Co., Ltd.

GINICE Bldg., (Chuneui-Dong) 15, Bucheon-ro, 186beon-gil, Wonmi-gu, Bucheon-City, Gyeonggi-do, Korea. (zip) 420-857  
TEL : +82-32-666-9946 | 팩스 : +82-32-666-9949  
E-mail : ginicegood@ginice.co.kr  
www.ginice.com

#### GINICE FACTORY

경기도 김포시 대곶면 울생중앙로 206번길 92  
92, Yulsaengjungang-ro, 206beon-gil, Daegot-myeon, Gimpo-si, Gyeonggi-do, Korea.