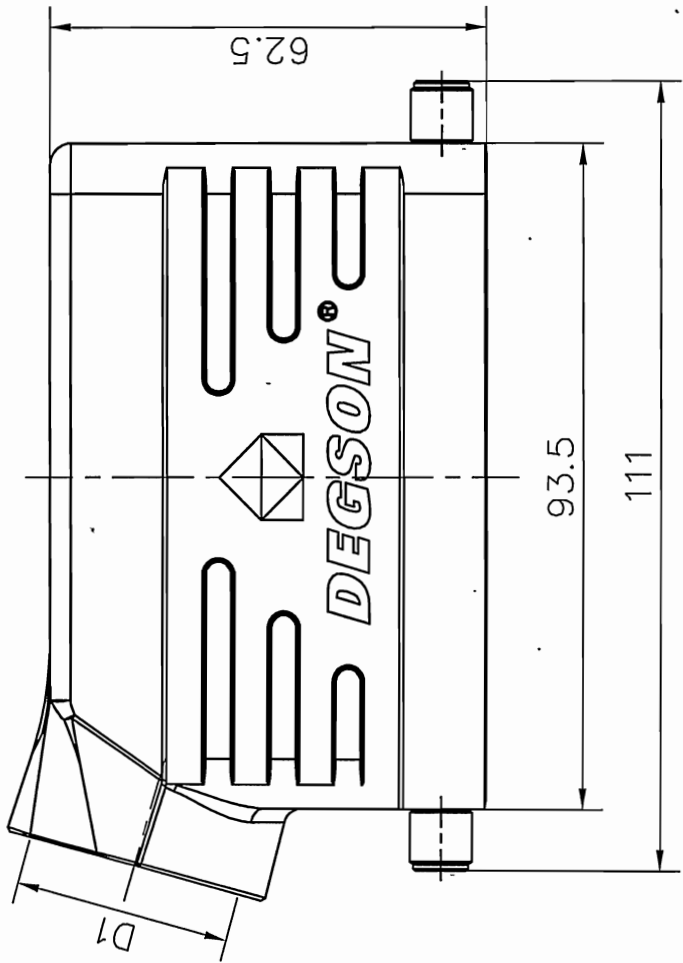
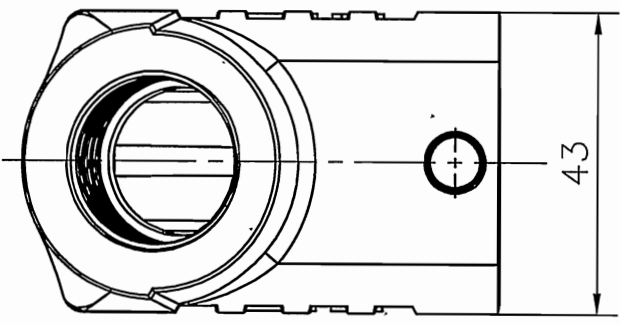
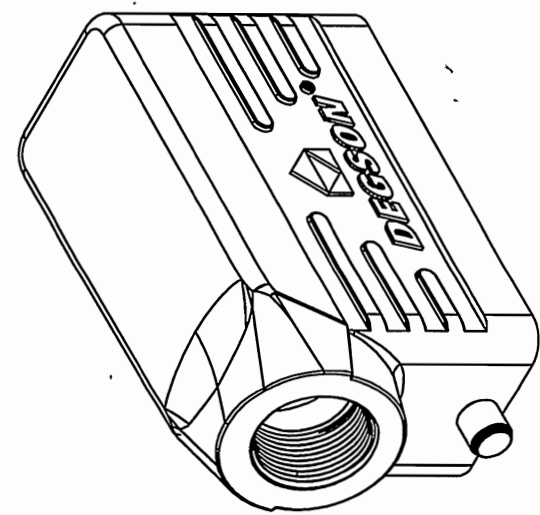


REVISION RECORD				
REV	ECN	DESCRIPTION	DRFT	DATE

TYPE	Thread(D1)	Selection
D16B-SE-2g-M25	M25	
D16B-SE-2g-M32	M32	
D16B-SE-2g-PG21	PG21	



**Hoods Feature**

1. Material: aluminium die-cast
2. Surface: Powder-coated
3. Color: grey (RAL 7037)
4. Limiting temperatures: -40°C ~ +125°C
5. Flammability acc to UL94:V0
6. Degree of protection acc.to EN60529 for coupled connector :IP65
7. Rohs compliance

PART NO.:	/	DEGSON®	NINGBO DEGSON ELECTRICAL CO., LTD	宁波高松电子有限公司
APPD:	HJS 2017.7.5	NAME:	D16B-SE-2g-MPG	
CHKD:	CHK 2017.7.7	TITLE:	CUSTOMER DRAWING	
DRFT:	Mr.yang 2017/06/28	DRAWING NO.:	REV	DO-1
THIRD ANGLE PROJECTION		MM (INCH)	SHEET	1/1
		DO NOT SCALE	DRAWING	SCALE
			1:1	1:1