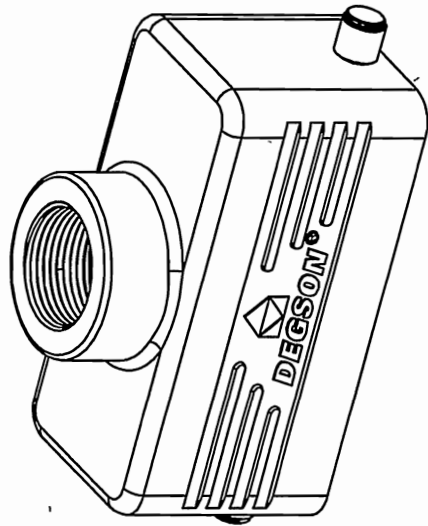
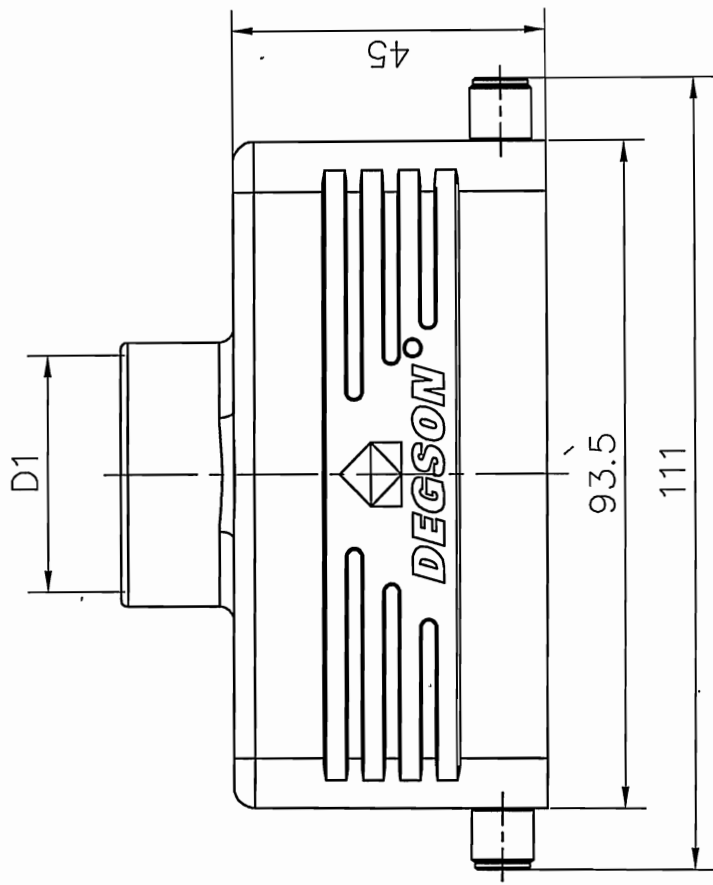


| TYPE | Thread(D1) Selection |
|-----------------|----------------------|
| D16B-TE-2g-M25 | M25 |
| D16B-TE-2g-M32 | M32 |
| D16B-TE-2g-PG21 | PG21 |

| REVISION RECORD | | | | |
|-----------------|-----|-------------|------|------|
| REV | ECN | DESCRIPTION | DRFT | DATE |
| | | | | |



Hoods Feature

1. Material: aluminium die-cast
2. Surface: Powder-coated
3. Color: grey (RAL 7037)
4. Limiting temperatures: -40°C ~ +125°C
5. Flammability acc to UL94:V0
6. Degree of protection acc.to EN60529 for coupled connector :IP65
7. Rohs compliance

| | |
|--------------------------|-----------------------------------|
| PART NO: / | NINGBO DEGSON ELECTRICAL CO., LTD |
| APPPD: HYS 2017.7.2 | NAME: D16B-TE-2g-MPG |
| CHKD: CHK 2017.7.1 | TITLE: CUSTOMER DRAWING |
| DRFT: Mr.yang 2017/06/28 | DRAWING NO: DO NOT SCALE |
| THIRD ANGLE PROJECTION | SCALE 1:1 |