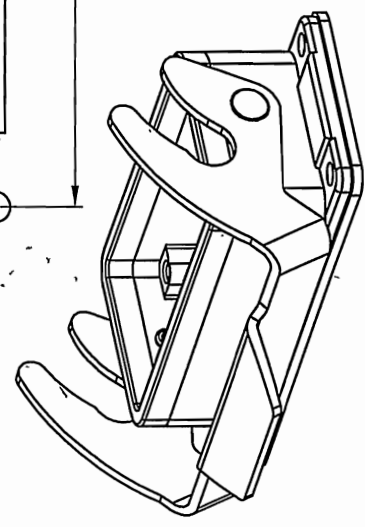
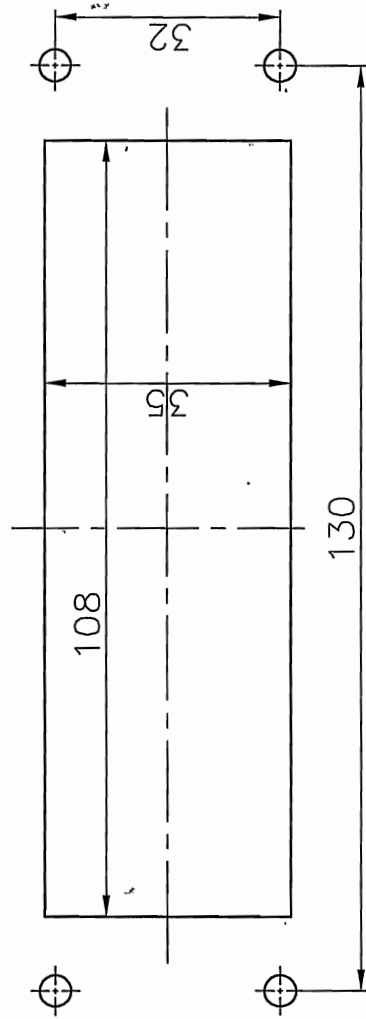
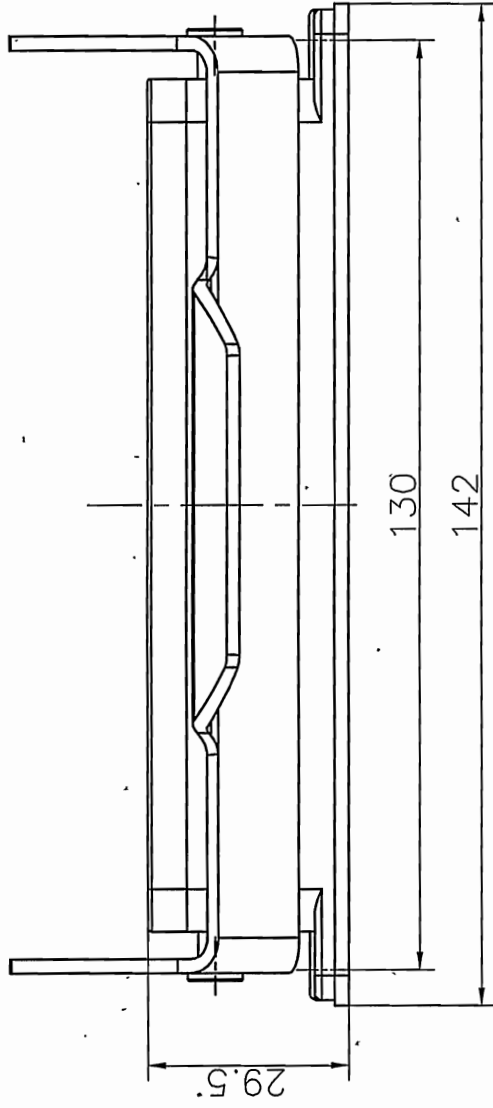
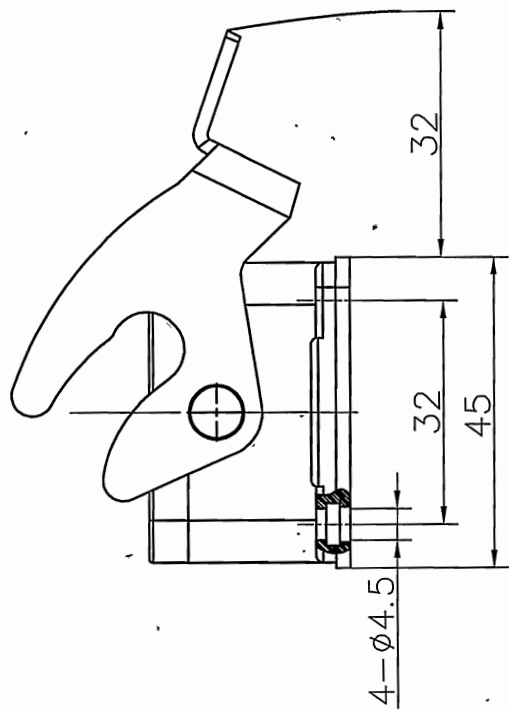


REVISION RECORD				
REV	ECN	DESCRIPTION	DRFT	DATE



Panel cut out

Housings Feature

1. Material: aluminium die-cast
2. Surface: Powder-coated
3. Color: grey (RAL 7037)
4. Material: Metal (Lever)
5. Sealing: NBR
6. Limiting temperatures: -40°C ~ +125°C
7. Flammability acc to UL94: V0
8. Degree of protection acc to EN60529 for coupled connector: IP65
9. Rohs compliance

PART NO.: /	NINGBO DEGSON ELECTRICAL CO., LTD
APPD: HJS 2017-7-7	NAME: D24B-BK-1L
CHKD: CLK 2017-7-1	TITLE: CUSTOMER DRAWING
DRFT: Mr. yong 2017.06.28	DRAWING NO.: DO NOT SCALE
THIRD ANGLE PROJECTION	
MM	INCH
1	2
1	1
1	1

REV	DO-1
DRFT	1/1
SCALE	1:1