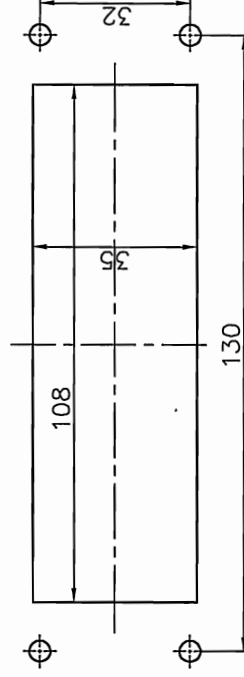
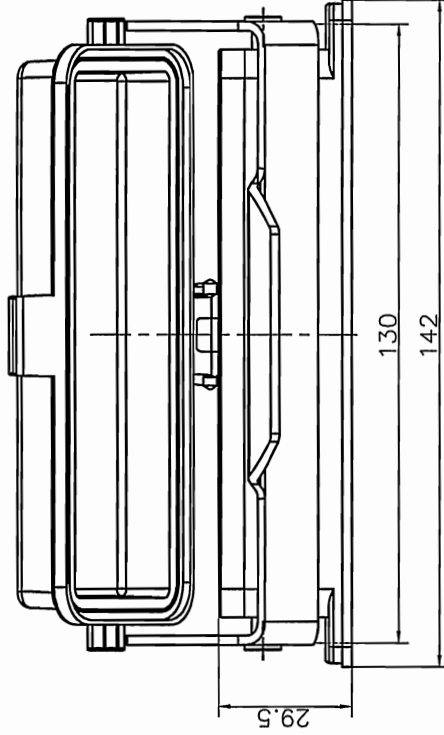
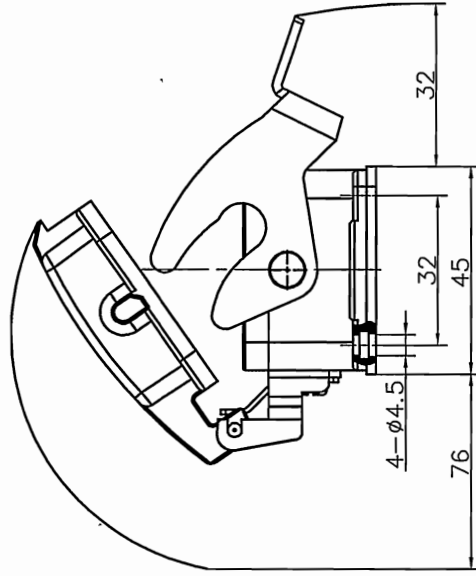
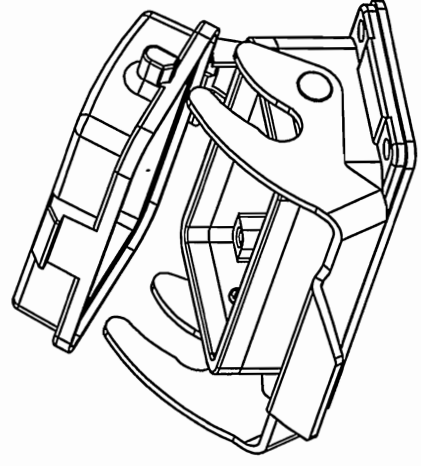


REVISION RECORD				
REV	ECN	DESCRIPTION	DRFT	DATE



Panel cut out



**Housings Feature**

- 01. Material: aluminium die-cast
- 02. Surface: Powder-coated
- 03. Color: grey (RAL 7037)
- 04. Material: Metal (Lever)
- 05. Sealing: NBR
- 06. Covers: Plastic
- 07. Limiting temperatures: -40°C ~ +125°C
- 08. Flammability acc to UL94: V0
- 09. Degree of protection acc.to EN60529 for coupled connector: IP65
- 10. Rohs compliance

PART NO.:	/	<b>DEGSON</b> <sup>®</sup>	宁波高松电子有限公司
APPR:	HYS 2017-7-7	NINGBO DEGSON ELECTRICAL CO., LTD	
CHKD:	CHK 2017-7-21	NAME: D24B-BK-1L-CV	
DRFT:	Mr.yang 2017/06/28	TITLE: CUSTOMER DRAWING	
DETACHED LISTS		DRAWING NO.:	REV DO-1
THIRD-ANGLE-PROJECTION		MM (INCH)	SHEET 1/1
		DO-NOT-SCALE-DRAWING	SCALE 1:1.5