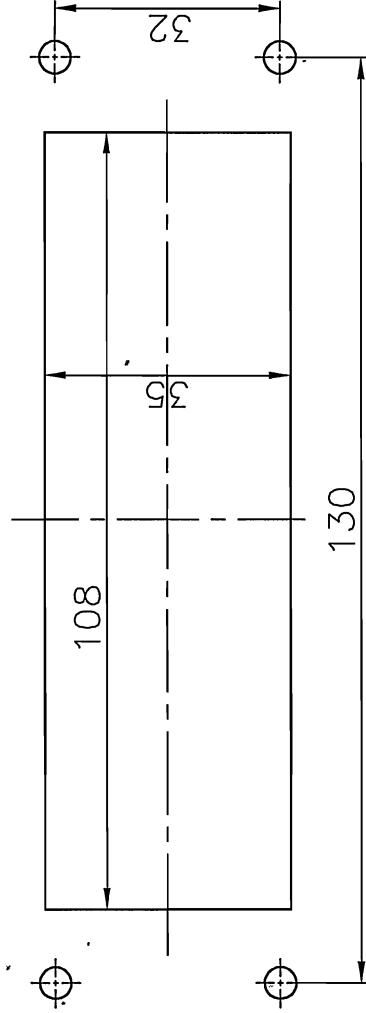
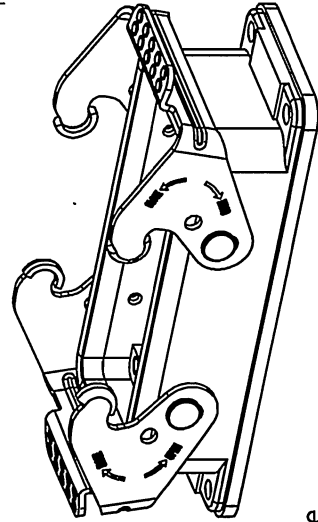
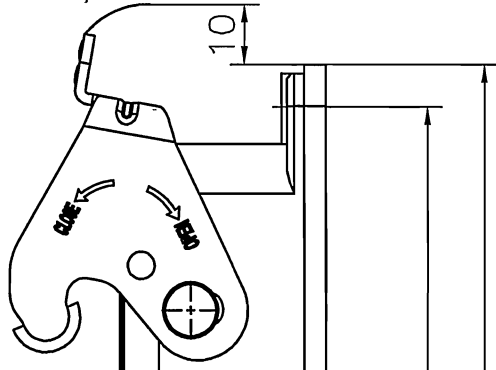
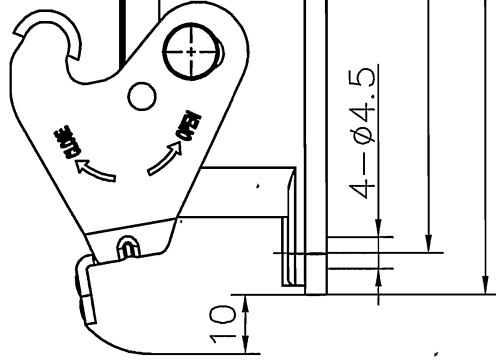
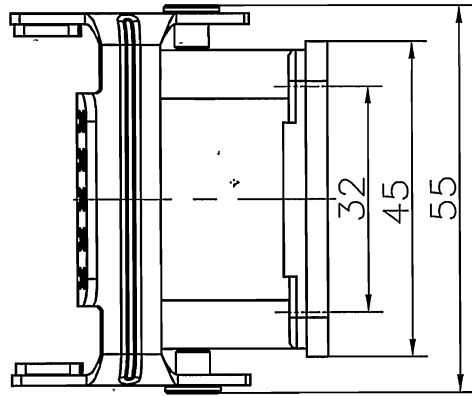


REVISION RECORD				
REV	ECN	DESCRIPTION	DRFT	DATE



Housings Feature

1. Material: aluminium die-cast
2. Surface: Powder-coated
3. Color: grey (RAL 7037)
4. Material: Metal (Lever)
5. Sealing: NBR
6. Limiting temperatures: -40°C ~ +125°C
7. Flammability acc to UL94: V0
8. Degree of protection acc.to EN60529 for coupled connector : IP65
9. Rohs compliance

Panel cut out

PART NO.:	/	NINGBO DEGSON ELECTRICAL CO., LTD	宁波高松电子有限公司
APPD:	MYS 2017-7-7	NAME:	D24B-BK-2L
CHKD:	WJK 2017-7-7	TITLE:	CUSTOMER DRAWING
DRFT:	Mr.yang	DRAWING NO.:	REV DO-1
		THIRD ANGLE PROJECTION	SHEET 1/1
		DO NOT SCALE	SCALE 1:1