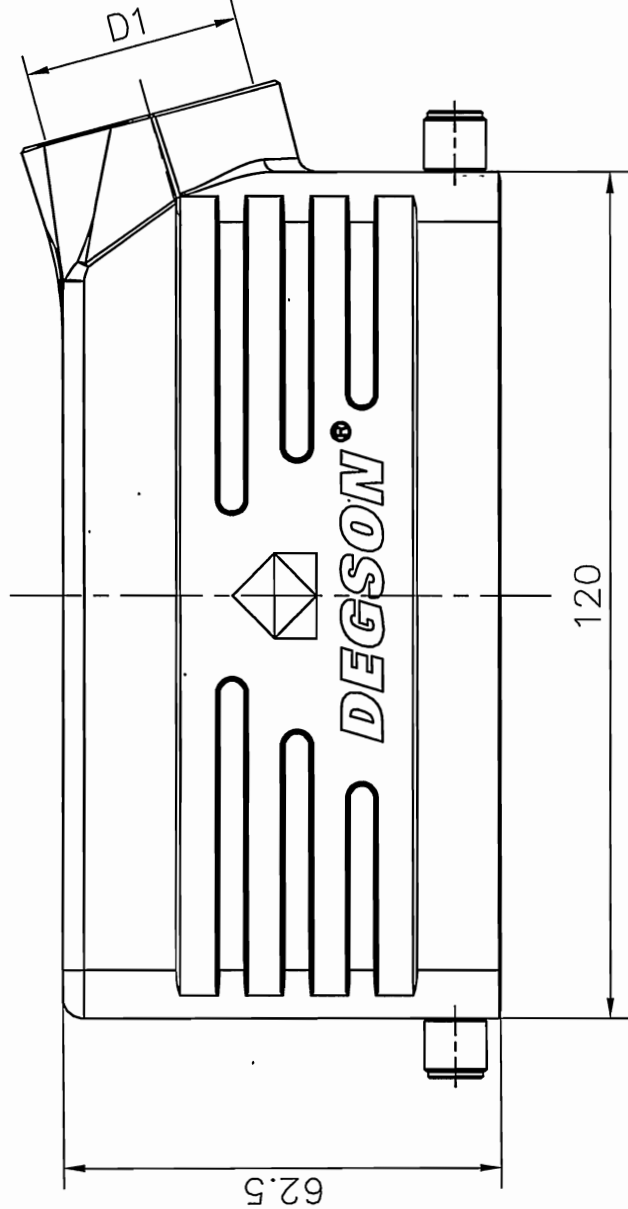
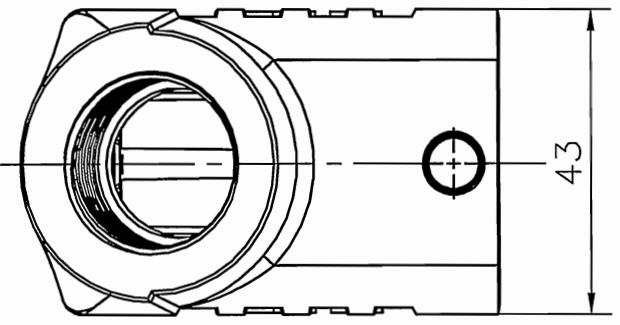


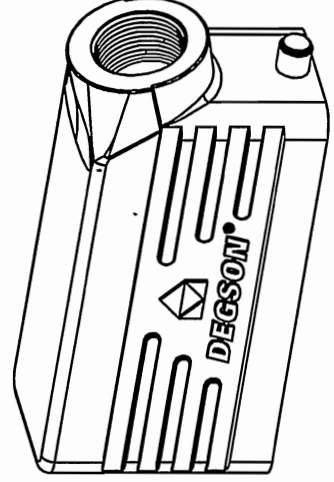
TYPE	Thread(D1) Selection
D24B-SE-2g-M25	M25
D24B-SE-2g-M32	M32
D24B-SE-2g-PG21	PG21

REVISION RECORD				
REV	ECN	DESCRIPTION	DRFT	DATE



Hoods Feature

- 1.Material: aluminium die-cast
- 2.Surface:Powder-coated
- 3.Color:grey(RAL 7037)
- 4.Limiting temperatures:-40°C ~ +125°C
- 5.Flammability acc to UL94:V0
- 6.Degree of protection acc.to EN60529 for coupled connector :IP65
- 7.Rohs compliance



PART NO:	NINGBO DEGSON ELECTRICAL CO., LTD	
APPR:	NAME: D24B-SE-2g-M/PG	
CHKD:	TITLE: CUSTOMER DRAWING	
DRFT:	DRAWING NO.:	
2017/06/28		REV DO-1
Mr.yong		SHEET 1/1
THIRD ANGLE PROJECTION		SCALE 1:1
DO NOT SCALE DRAWING		

DETAILED LISTS