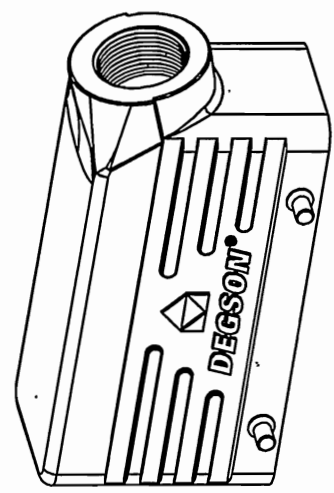
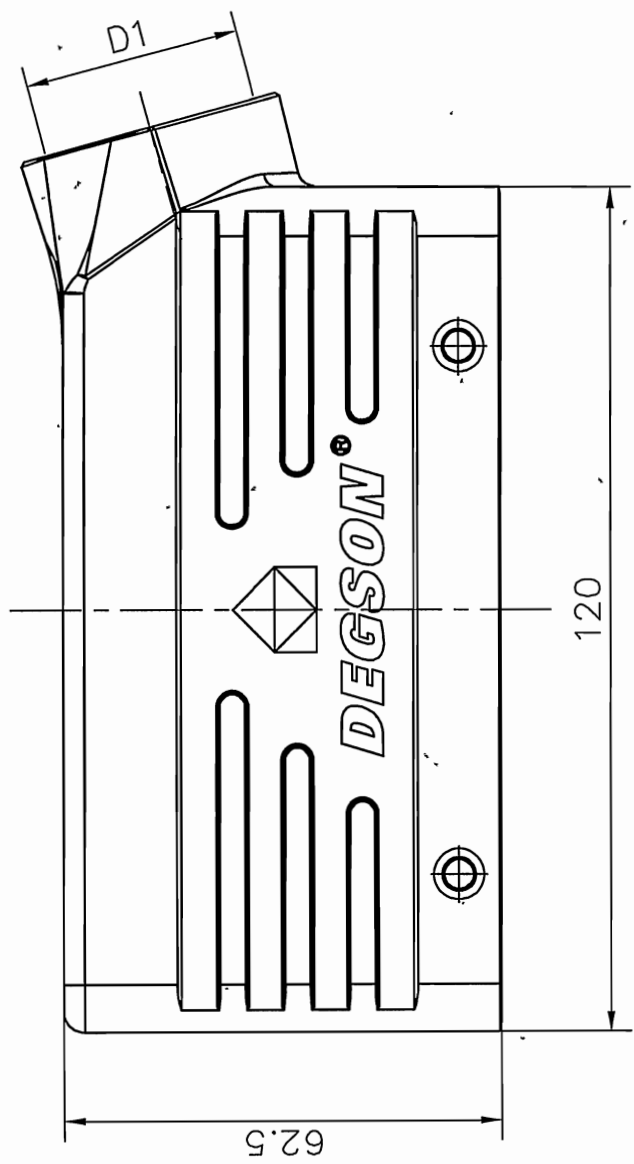
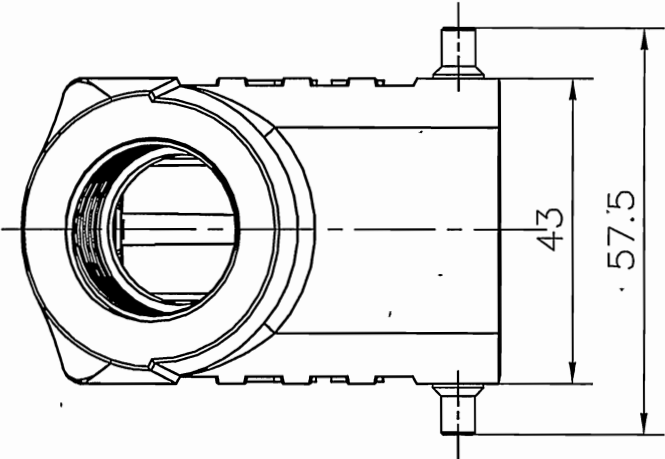


REVISION RECORD				
REV	ECN	DESCRIPTION	DRFT	DATE

TYPE	Thread(D1) Selection
D24B-SE-4g-M25	M25
D24B-SE-4g-M32	M32
D24B-SE-4g-PG21	PG21



- Hoods Feature**
1. Material: aluminium die-cast
 2. Surface: Powder-coated
 3. Color: grey (RAL 7037)
 4. Limiting temperatures: -40°C ~ +125°C
 5. Flammability acc to UL94: V0
 6. Degree of protection acc.to EN60529 for coupled connector: IP65
 7. Rohs compliance

PART NO: /	NINGBO DEGSON ELECTRICAL CO., LTD
APPD: HYS 2017.7.6	NAME: D24B-SE-4g-MPG
CHKD: CHK 2017.7.1	TITLE: CUSTOMER DRAWING
DRFT: Mr.yang 2017/06/28	DRAWING NO: DO-1
THIRD ANGLE PROJECTION	REVISION RECORD
MM (INCH)	SHEET 1/1
DO NOT SCALE	SCALE 1:1