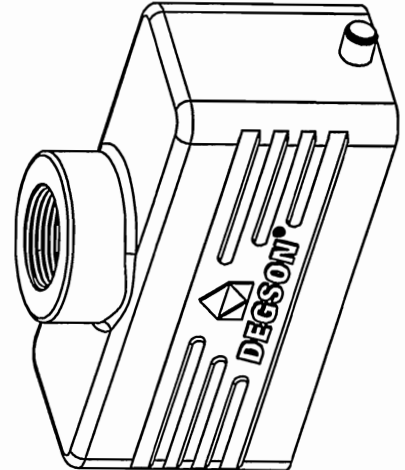
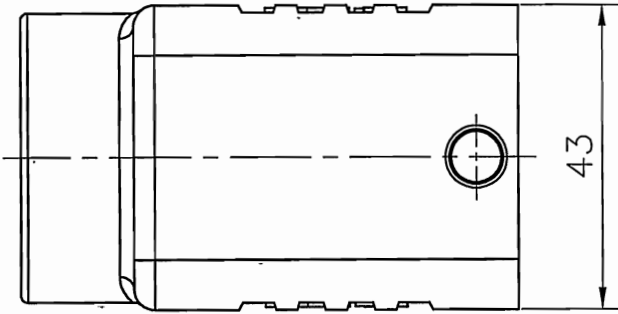
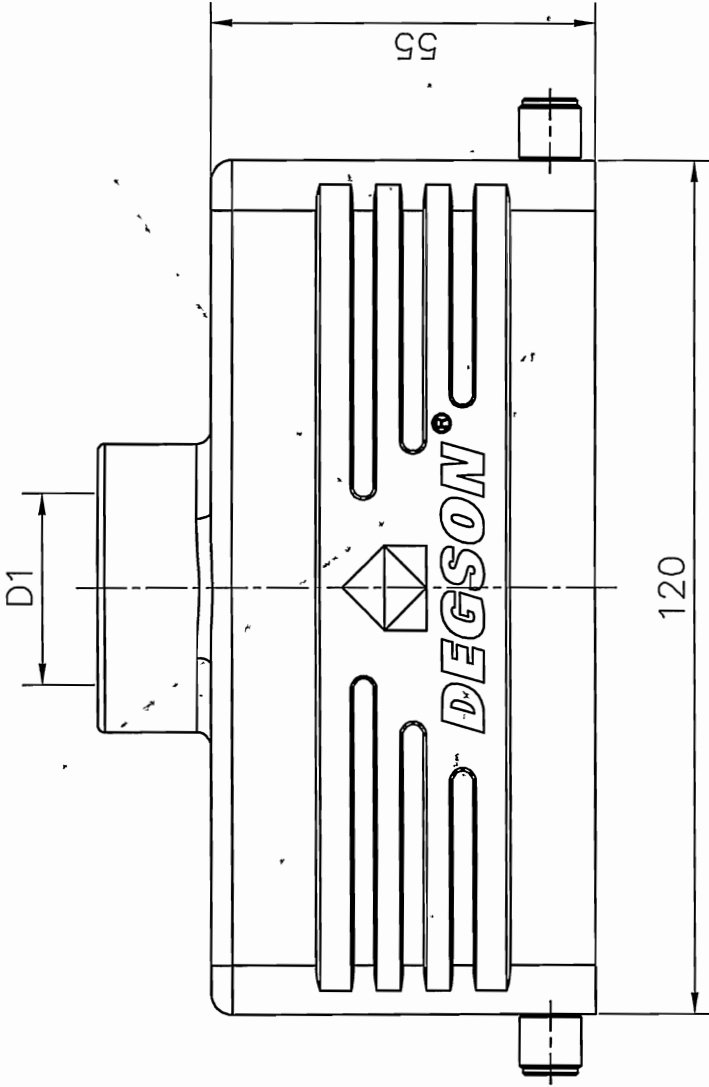


REVISION RECORD				
REV	ECN	DESCRIPTION	DRFT	DATE

TYPE	Thread(D1)	Selection
D24B-TE-2g-M25	M25	
D24B-TE-2g-M32	M32	
D24B-TE-2g-PG21	PG21	



- Hoods Feature**
1. Material: aluminium die-cast
  2. Surface: Powder-coated
  3. Color: grey (RAL 7037)
  4. Limiting temperatures: -40°C ~ +125°C
  5. Flammability acc to UL94: V0
  6. Degree of protection acc. to EN60529 for coupled connector: IP65
  7. Rohs compliance

PART NO.:	/	NINGBO DEGSON ELECTRICAL CO., LTD
APPR:	HYS 2017-7-6	NINGBO DEGSON ELECTRICAL CO., LTD
CHKD:	CHK 2017-7-1	NAME: D24B-TE-2g-M/PG
DRFT:	Mr. yang 2017/06/28	TITLE: CUSTOMER DRAWING
THIRD ANGLE PROJECTION		REV DO-1
DRAWING NO.:		SHEET 1/1
(INCH)		SCALE 1:1