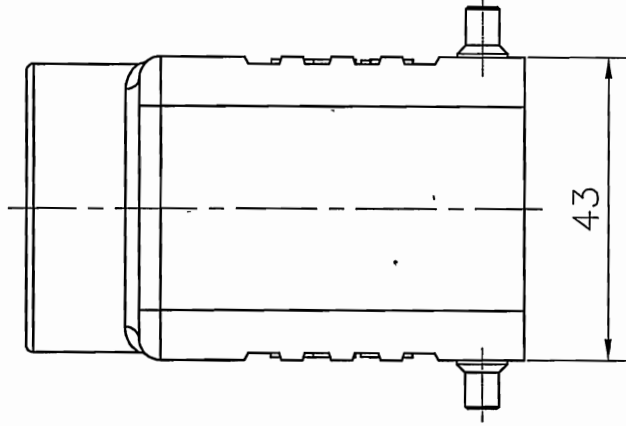
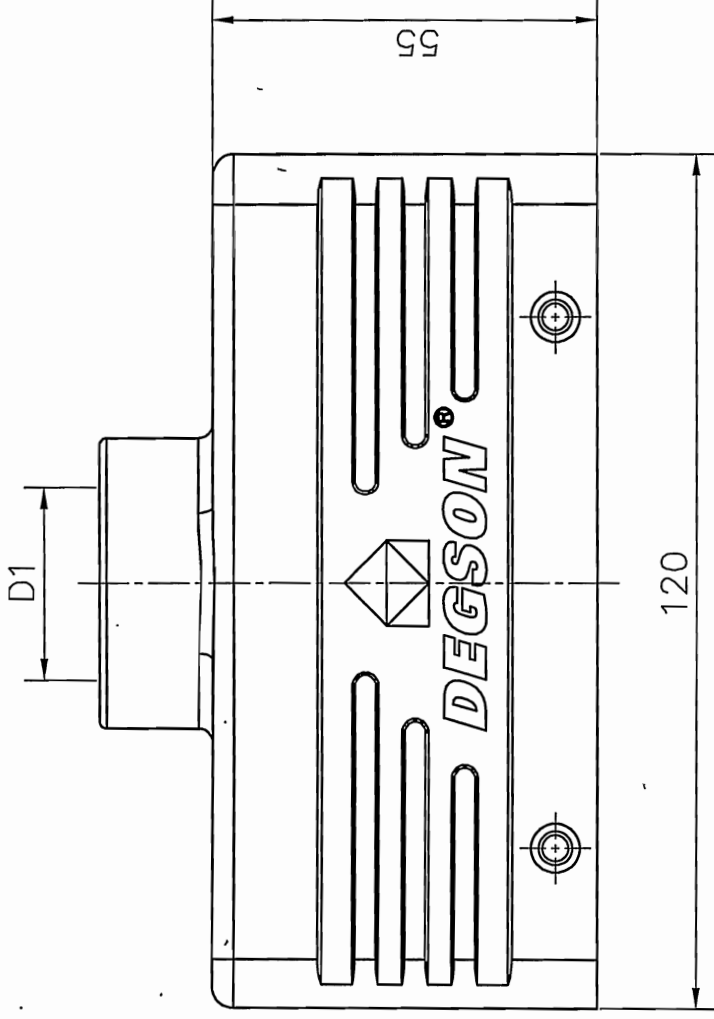


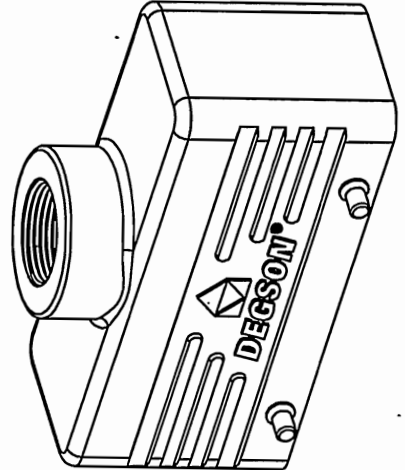
REVISION RECORD				
REV	ECN	DESCRIPTION	DRFT	DATE

TYPE	Thread(D1) Selection
D24B-TE-4g-M25	M25
D24B-TE-4g-M32	M32
D24B-TE-4g-PG21	PG21



Hoods Feature

1. Material: aluminium die-cast
2. Surface: Powder-coated
3. Color: grey (RAL 7037)
4. Limiting temperatures: -40°C ~ +125°C
5. Flammability acc to UL94: V0
6. Degree of protection acc. to EN60529 for coupled connector: IP65
7. Rohs compliance



PART NO: /	DEGSON® NINGBO DEGSON ELECTRICAL CO., LTD
APPD: HSY 2017.7.6	NAME: D24B-TE-4g-M/PG
CHKD: CYK 2017.7.1	TITLE: CUSTOMER DRAWING
DRFT: Mr. yang 2017/06/28	DRAWING NO: DO NOT SCALE DRAWING
THIRD ANGLE PROJECTION	REV DO-1
MM (INCH)	SHEET 1/1
SCALE	1:1