

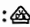
REVISION RECORD				
REV	ECN	DESCRIPTION	DRFT	DATE

Technical characteristics:

Specifications

DIN EN 60 664-1

DIN EN 61 984

Approvals: 

Inserts

01. Number of contacts :3+PE

02. Rated Current :10A

03. Rated Voltage conductor-ground :230V

04. Rated Voltage conductor-conductor :400V

05. Pollution degree :3

06. Rated impulse voltage :4kv

07. or:10A/250V/4KV/3

08. Insulation resistance : $\geq 10^{10} \Omega$

09. Material:Polycarbonate

10. Colour:RAL 7032(Light grey)

11. Rated voltage acc. to UL/CSA:600V

12. Limiting temperatures :-40°C~+125°C

13. Flammability acc. to UL94:V0

14. Mechanical working life

(mating cycles) : ≥ 500

Contacts

01. Material:Copper alloy

02. Surface:hard-silver plated

03. Contact resistance : $\leq 2m\Omega$

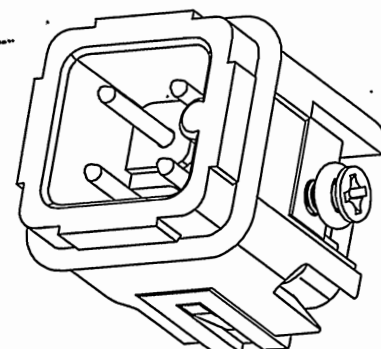
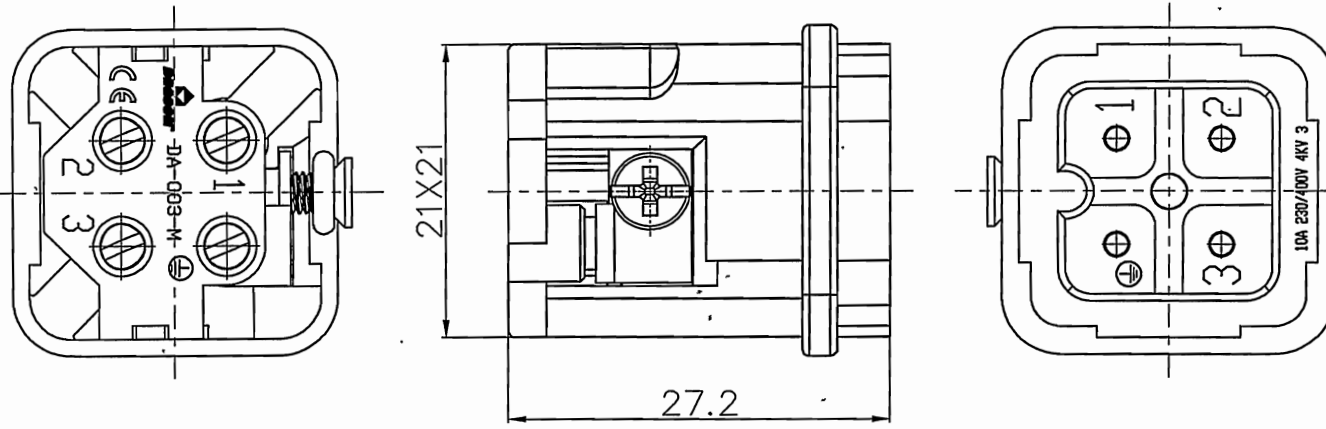
04. Terminal :Screw terminal


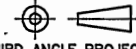
05. Wire gauge :1.0-2.5mm² (AWG 18-14)

06. Tightening torque :0.25Nm

07. Stripping length :4.5mm

08. Rosh Compliance



DETACHED LISTS	PART NO.: DA003M	 宁波高松电子有限公司 NINGBO DEGSON ELECTRICAL CO., LTD		
	APRD: HYS 2016.7.18	NAME: DA-003-M		
	CHKD: Ljm 2016.7.16	TITLE: CUSTOMER DRAWING		
	DRFT: Mr.Yang 2016.06.16	REV: DO-1	SHEET: 1/1	SCALE: 2:1
 THIRD ANGLE PROJECTION		DRAWING NO.: DA-003-M-E01		
		MM (INCH)	DO NOT SCALE DRAWING	SCALE: 2:1