

REVISION RECORD				
REV	ECN	DESCRIPTION	DRFT	DATE

Technical characteristics:

Specifications

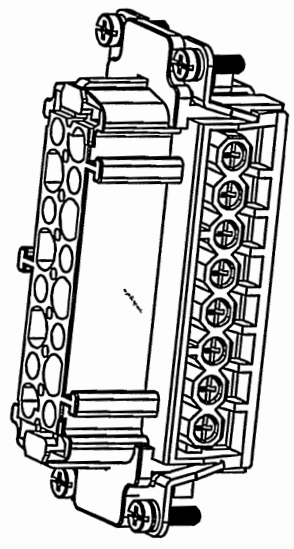
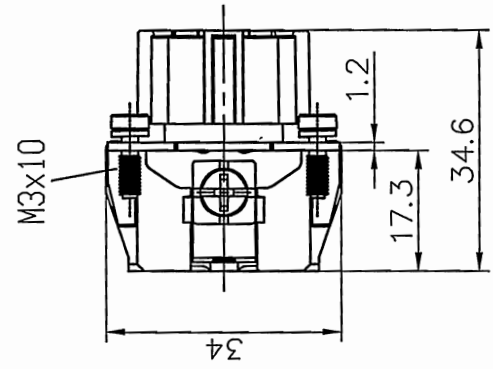
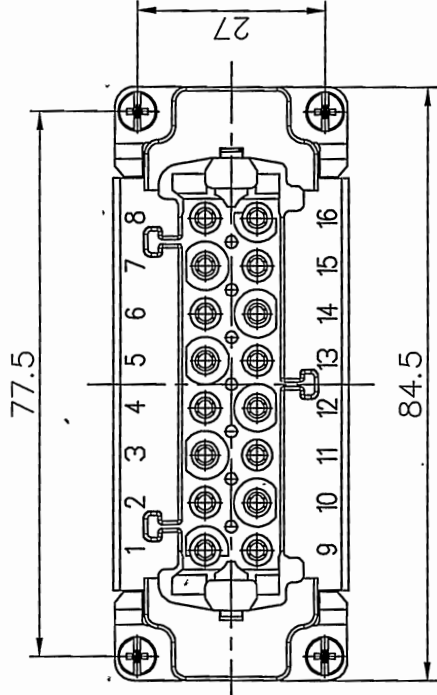
- DIN EN 60 664-1
- DIN EN 61 984

Inserts

- Number of contacts :16+PE
- Rated Current :16A
- Rated Voltage :500V
- Pollution degree :3
- Rated impulse voltage :6kv<sub>10</sub>
- Insulation resistance :≥10Ω
- Material:Polycarbonate
- Rated voltage acc. to UL/CSA:600V
- Limiting temperatures : -40°C~+125°C
- Flammability acc. to UL94:V0
- Mechanical working life (mating cycles) :≥500

Contacts

- Material:Copper alloy
- Surface:hard-silver plated
- Contact resistance :≤1mΩ
- Terminal :Screw terminal
- Wire gauge :1.0-2.5mm<sup>2</sup> (AWG 18-14)
- Tightening torque :0.5Nm
- Stripping length :7.5mm
- Rohs Compliance



PART NO: /		DEGSON® NINGBO DEGSON ELECTRICAL CO., LTD	
APPD: HJS 2016.P.6		NAME: 宁波高松电子有限公司	
CHKD: JY 2016.P.5		DE-016-F	
DRFT: MYang 2016.08.08		TITLE: CUSTOMER DRAWING	
THIRD ANGLE PROJECTION		DRAWING NO.:	REV DO
MIN (MM)		/	SHEET 1/1
INCH (INCH)		DO NOT SCALE DRAWING	SCALE 1:1

DETACHED LISTS