

1 2 3 4 5 6 7 8

REVISION RECORD				
REV	ECN	DESCRIPTION	DRFT	DATE

Technical characteristics:

Specifications  
 DIN EN 60 664-1  
 DIN EN 61 984

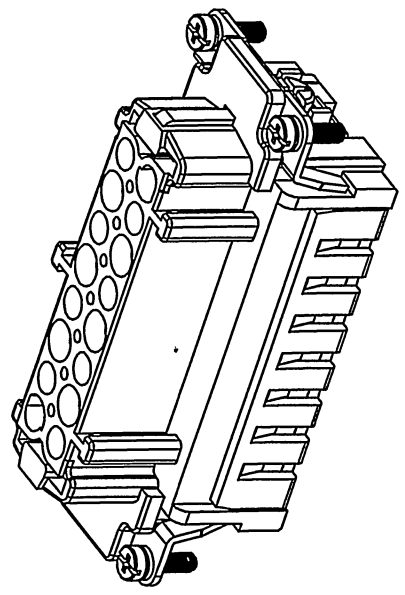
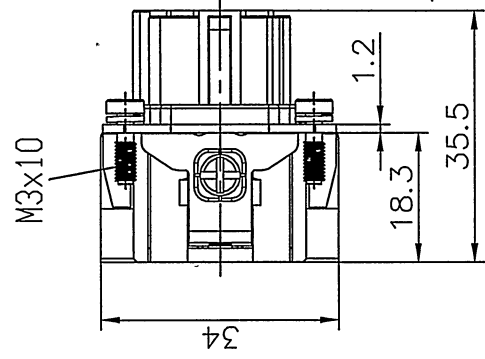
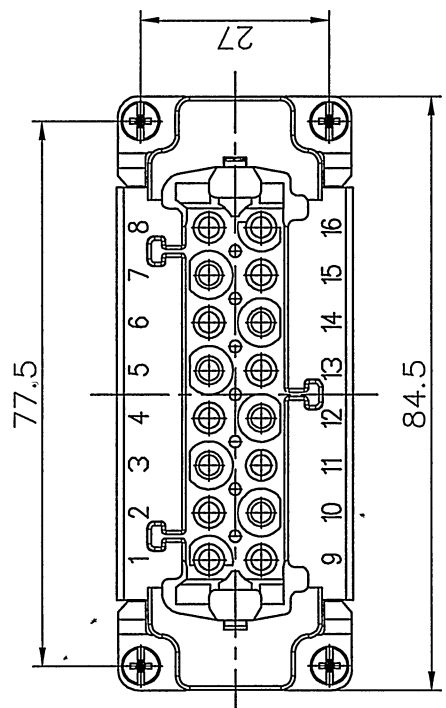
Inserts

01. Number of contacts :16+PE
02. Rated Current :16A
03. Rated Voltage :500V
04. Pollution degree :3
05. Rated impulse voltage :6kv<sub>u0</sub>
06. Insulation resistance :≥10<sup>10</sup>Ω
07. Material:Polycarbonate
08. Rated voltage acc.to UL/CSA:600V
09. Limiting temperatures : -40℃~+125℃
10. Flammability acc.to UL94:V0
11. Mechanical working life (mating cycles) : ≥500

Contacts

01. Material:Copper alloy
02. Surface:hard-silver plated
03. Contact resistance : ≤1mΩ
04. Terminal :Crimp terminal
05. Wire gauge :0.14-4.0mm<sup>2</sup> (AWG 26-12)
06. Stripping length :7.5mm
07. Rohs Compliance

Note:Crimp contact pins should order separately



PART NO: /	NINGBO DEGSON ELECTRICAL CO., LTD	NAME: DE-016-FC	REV	DO
			SHEET	1/1
APPD: <i>HLS reb. P.6</i>	DRFT: Mr. Yang 2016.08.08	TITLE: CUSTOMER DRAWING	DO NOT SCALE	DRAWING SCALE
CHKD: <i>Ljm 2016.8.5</i>				
DRAWING NO: /		SCALE: 1:1		
THIRD ANGLE PROJECTION		DO NOT SCALE		

1 2 3 4 5 6 7 8