

REVISION RECORD				
REV	ECN	DESCRIPTION	DRFT	DATE

Technical characteristics:

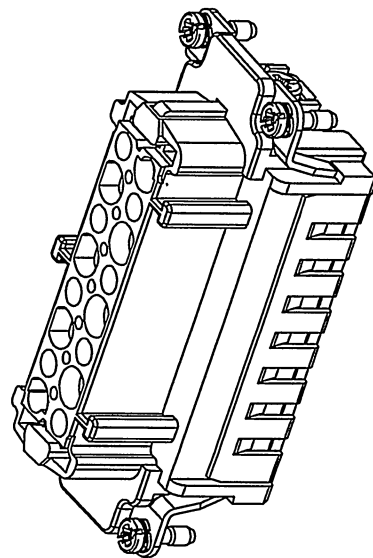
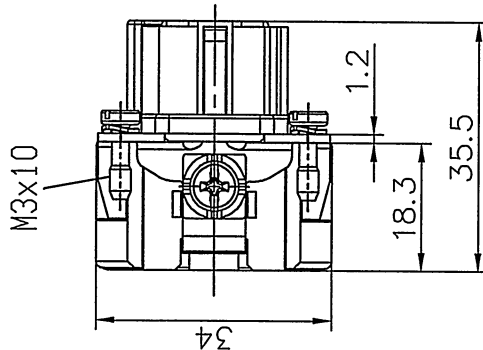
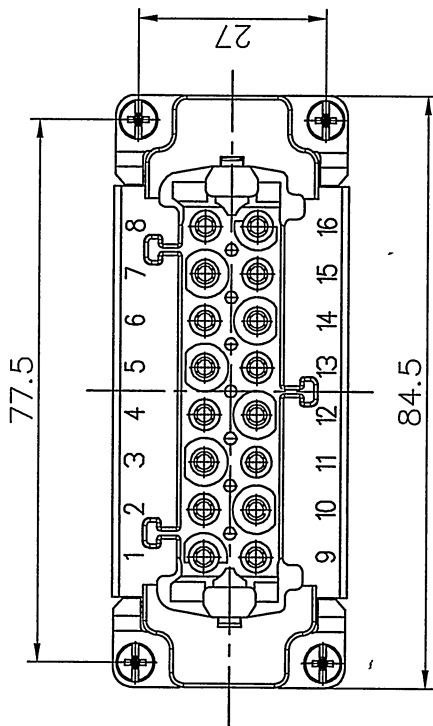
Specifications
 DIN EN 60 664-1
 DIN EN 61 984

Inserts

01. Number of contacts :16+pPE
02. Rated Current :16A
03. Rated Voltage :500V
04. Pollution degree :3
05. Rated impulse voltage :6kv¹⁰
06. Insulation resistance :≥10Ω
07. Material:Polycarbonate
08. Rated voltage acc. to UL/CSA:600V
09. Limiting temperatures : -40°C~+125°C
10. Flammability acc. to UL94:V0
11. Mechanical working life (mating cycles) : ≥500

Contacts

01. Material:Copper alloy
02. Surface:hard-silver plated
03. Contact resistance : ≤3mΩ
04. Terminal :Cage-clamp
05. Wire gauge :0.75-2.5mm² (AWG 18-14)
06. Stripping length :7.5mm
07. Rohs Compliance



PART NO: /		NINGBO DEGSON ELECTRICAL CO., LTD	
APPD: PJS 2016.9.6		NAME: DE-016-FS	
CHKD: LJM 2016.9.5		TITLE: CUSTOMER DRAWING	
DRFT: Mr.Yang 2016.06.08		DRAWING NO: /	
THIRD ANGLE PROJECTION		DO NOT SCALE	
DETACHED LISTS		DRAWING SCALE: 1:1	

