

REVISION RECORD				
REV	ECN	DESCRIPTION	DRFT	DATE

Technical characteristics:

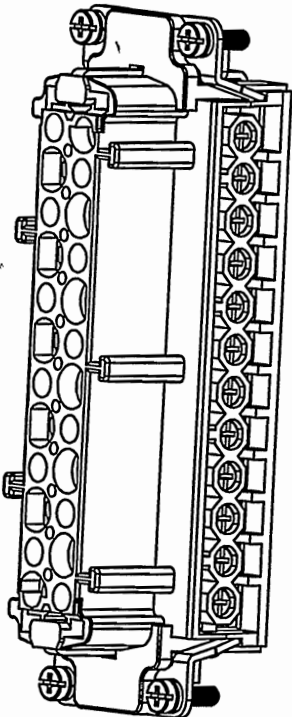
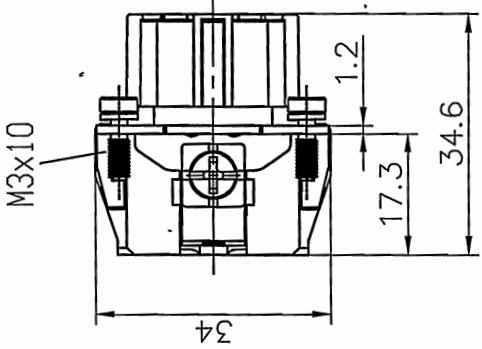
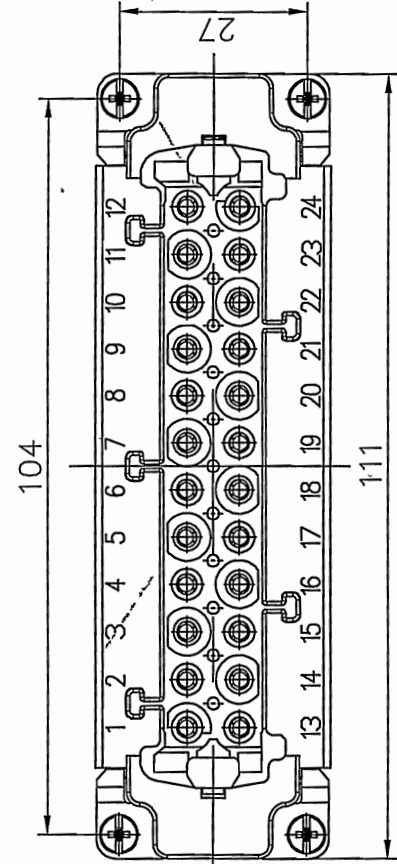
Specifications  
 DIN EN 60 664-1  
 DIN EN 61 984

Inserts

- 01. Number of contacts :24+PE
- 02. Rated Current :16A
- 03. Rated Voltage :500V
- 04. Pollution degree :3
- 05. Rated impulse voltage :6kv<sup>10</sup>
- 06. Insulation resistance :≥10Ω
- 07. Material:Polycarbonate
- 08. Rated voltage acc. to UL/CSA:600V
- 09. Limiting temperatures : -40℃~+125℃
- 10. Flammability acc. to UL94:V0
- 11. Mechanical working life (mating cycles) : ≥500

Contacts

- 01. Material:Copper alloy
- 02. Surface:hard-silver plated
- 03. Contact resistance :≤1mΩ
- 04. Terminal :Screw terminal
- 05. Wire gauge :1.0-2.5mm<sup>2</sup> (AWG 18-14)
- 06. Tightening torque :0.5Nm
- 07. Stripping length :7.5mm
- 08. Rohs Compliance



PART NO.: APPD: CHKD: DRFT:	/	HJS 2016.9.6 Zjm 2016.9.5 Mr.Yong 2016.08.08	THIRD ANGLE PROJECTION	DEGSON® NINGBO DEGSON ELECTRICAL CO., LTD		宁波高松电子有限公司	
				NAME: DE-024-F		REV	DO
				TITLE: CUSTOMER DRAWING		SHEET	1/1
				DRAWING NO.: /		SCALE	1:1
DETACHED LISTS				DO NOT SCALE DRAWING		2	