

REVISION RECORD				
REV	ECN	DESCRIPTION	DRFT	DATE

Technical characteristics:

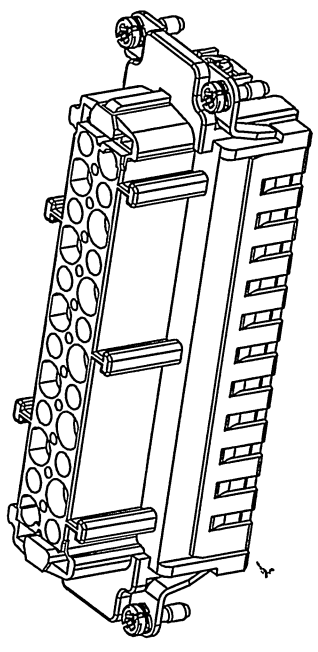
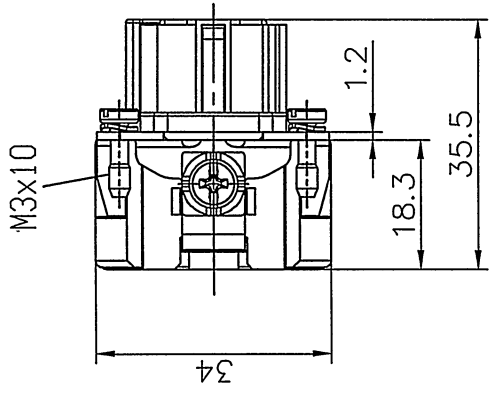
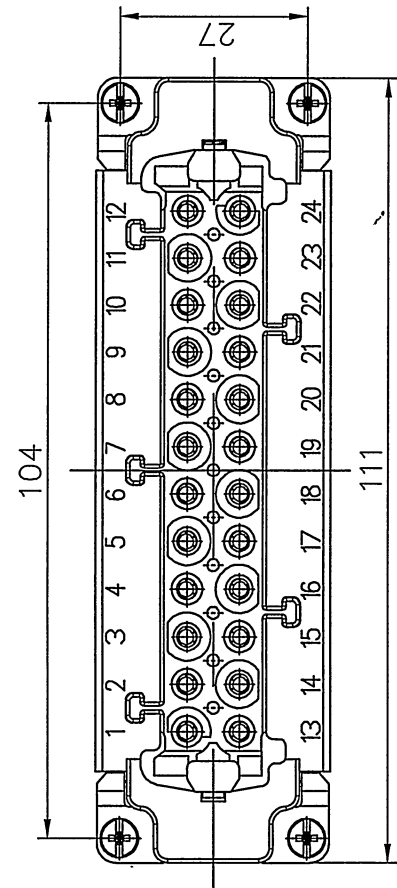
Specifications
 DIN EN 60 664-1
 DIN EN 61 984

Inserts

01. Number of contacts :24+PE
02. Rated Current :16A
03. Rated Voltage :500V
04. Pollution degree :3
05. Rated impulse voltage :6kv¹⁰
06. Insulation resistance :≥10Ω
07. Material:Polycarbonate
08. Colour:RAL 7032(Light grey)
09. Rated voltage acc. to UL/CSA:600V
10. Limiting temperatures : -40°C~+125°C
11. Flammability acc. to UL94:V0
12. Mechanical working life (mating cycles) :≥500

Contacts

01. Material:Copper alloy
02. Surface:hard-silver plated
03. Contact resistance :≤3mΩ
04. Terminal :Cage-clamp
05. Wire gauge :0.14-2.5mm² (AWG 26-14)
06. Stripping length :7-9mm
07. Rohs Compliance



PART NO.: /	DEGSON [®] 宁波高松电子有限公司 NINGBO DEGSON ELECTRICAL CO., LTD	
	APPD: HJS 2016.8.6	NAME: DE-024-FS
CHKD: JYM 2016.9.5	TITLE: CUSTOMER DRAWING	REV DO
DRFT: Mr. Yang 2016.08.08	DRAWING NO.: /	SHEET 1/1
THIRD ANGLE PROJECTION		DO NOT SCALE DRAWING
		SCALE 1:1

