

FC8U/0P-M307-1F

ultrasonic forks

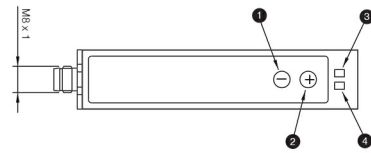
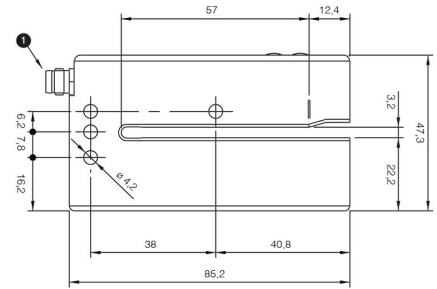


Micro Detectors

Italian Sensors Technology



Indicative image



- 1 button -
- 2 button +
- 3 yellow LED, "ON" when the outputs are set to 1 (run)
- 4 red LED: keyboard lock and regulation



Detection properties

Nominal sensing distance	3mm
minimum detectable object	2mm
Si	Yes
Sensitivity adjustment	Yes
+/-50 μm a 150m/min	+/-20 μm at 120m/min
200 m/min	180 m/min
2mm	2mm

Outputs

Output type	PNP
Output Function	LO/DO selectable
Switching frequency	1.500Hz

Electrical data

Operating Voltage	12 - 24Vdc
No-Load supply current	$\leq 45\text{mA}$
Load current	100mA
Output voltage drop	$\leq 2\text{ V @ IL = 100 mA}$
Max ripple content	$\leq 10\%$

Time delay before availability	300ms
Short-circuit protection	Yes
Reverse Polarity Protection	Yes
Emission	Ultrasonic

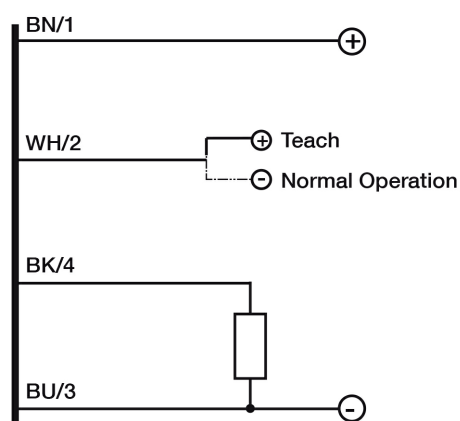
Mechanical data

Width slot detection	3mm
Depth slot detection	69mm
Dimensions	Width slot detection 3mm - Depth slot detection 69mm
Weight	160g
Housing Material	Painted aluminum
Connections	M8 plug 4 pin
Operating temperature	+ 5°C...+ 55°C
Storage temperature	- 20°C...+ 70°C

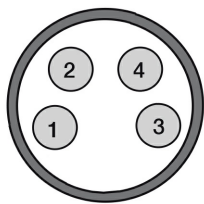
Test/Approvals

Approvals	CE UL
EMC compatibility	EN 60529
Degree of protection	IP65

ELECTRICAL DIAGRAMS OF THE CONNECTIONS



CONNECTOR



M.D.Micro Detectors S.p.A.

Strada S.Caterina, 235

41122 Modena (MO)

Tel. 059 420411

Fax 059 253973

E-mail info@microdetectors.com

date of printing

03/04/2020 05:38:54