

# UK1F/GW-2ESY

cylindrical ultrasonic

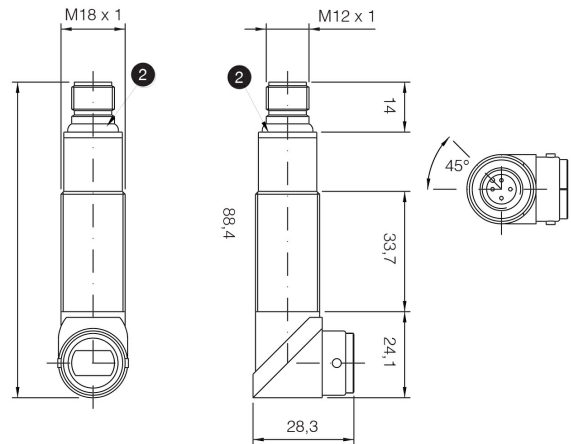


Micro Detectors

Italian Sensors Technology

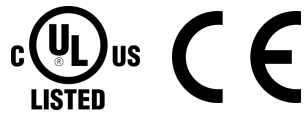


Indicative image



1 Teach-in

2 LED



## Detection properties

Nominal sensing distance	2200mm
Thermal drift of Sr	±2%
Repeat Accuracy	0,50%
Beam angle	14° ± 2°
Resolution	≤3mm
Sensitivity adjustment	Teach-in button
Hysteresis	1%
thermal compensation	Yes
Minimum sensing distance (blind zone)	200mm
Linearity error	1%

## Application

Function Principle

Diffuse reflection

## Outputs

Output type

2x PNP

Output Function

NO/NC multifunctions

Switching frequency

2Hz

Response time	500ms
---------------	-------

## Electrical data

Operating Voltage	10 - 30Vdc
No-Load supply current	≤50mA
Load current	100mA
Leakage current	10µA @ 30Vcc
Output voltage drop	2,2Vmax. @ IL=100 mA
Max ripple content	5%
LED indicators	green: echo - yellow: output
Time delay before availability	≤300ms
Short-circuit protection	Yes
Reverse Polarity Protection	Yes
Impulsive Overvoltage Protection	Yes

## Mechanical data

Dimensions	M18 x 1 / L = 88,3mm
Weight	75g
Housing Material	PBT housing
Connections	M12 Plug
Tightening torque	1Nm
Operating temperature	- 20°C...+ 70°C
Storage temperature	- 35°C...+ 80° C without freeze
Transducer Frequency	200kHz
Diameter/Dimension	M18

## Test/Approvals

Approvals	CE cULus
EMC compatibility	IEC 60947-5-2
Shocks and vibrations	IEC EN60947-5-2 / 7.4
Degree of protection	IP67

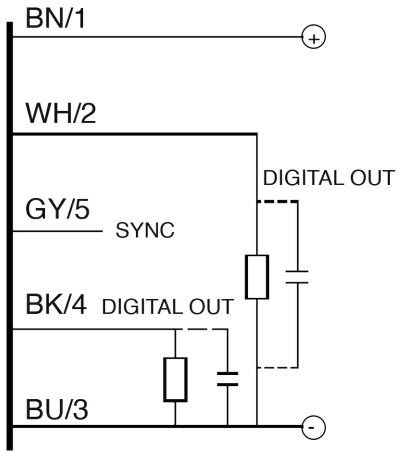
## Accessories

Supplied Accessories	2 nuts M18x1, 2 washers Ø 18
----------------------	------------------------------

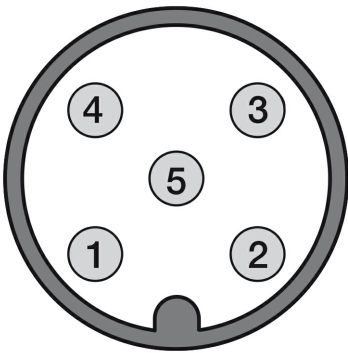
---

# ELECTRICAL DIAGRAMS OF THE CONNECTIONS

---

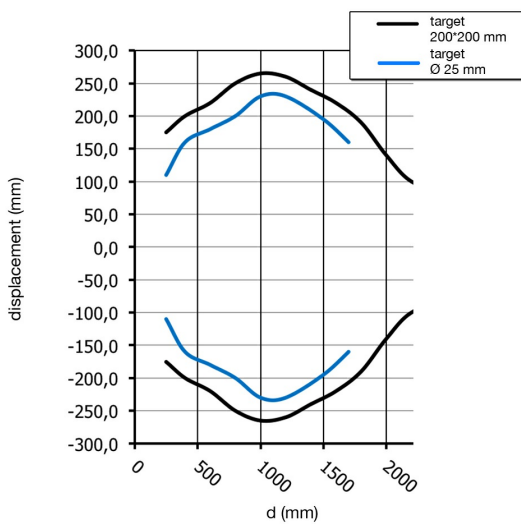


## CONNECTOR



## RESPONSE CURVES

### Disassamento Parallelo



**M.D.Micro Detectors S.p.A.**

Strada S.Caterina, 235

41122 Modena (MO)

Tel. 059 420411

Fax 059 253973

E-mail [info@microdetectors.com](mailto:info@microdetectors.com)

**date of printing**

03/04/2020 04:17:04