

UQ1C/G4-0E

cubic ultrasonic

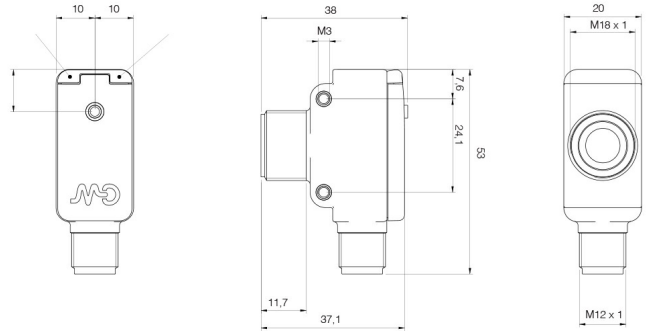


Micro Detectors

Italian Sensors Technology



Indicative image



Detection properties

| | |
|---------------------------------------|-----------------|
| Nominal sensing distance | 800mm |
| Thermal drift of Sr | ±5% |
| Resolution | 3mm |
| Sensitivity adjustment | Teach-in button |
| Hysteresis | 1% |
| thermal compensation | Yes |
| Minimum sensing distance (blind zone) | 60mm |
| Linearity error | 1% |
| Effective Aperture Angle | 8° ± 2° |

Application

Function Principle: Diffuse reflection

Outputs

| | |
|---------------------|---------------------------------|
| Output type | NPN + 4...20mA |
| Output Function | NO/NC + positive/negative slope |
| Switching frequency | 5Hz |
| Response time | 400ms |

Electrical data

| | |
|----------------------------------|------------------------------|
| Operating Voltage | 10 - 30Vdc |
| No-Load supply current | ≤35mA |
| Load current | 100mA |
| Leakage current | 10μA @ 30Vcc |
| Output voltage drop | 2,2Vmax. @ IL=100 mA |
| Max ripple content | 5% |
| LED indicators | verde: echo - giallo: uscita |
| Short-circuit protection | si |
| Reverse Polarity Protection | si |
| Impulsive Overvoltage Protection | si |

Mechanical data

| | |
|-----------------------|---------------------------------|
| Dimensions | 53x38x20mm |
| Connections | M12 Plug |
| Tightening torque | 1Nm |
| Operating temperature | - 20°C...+ 70°C |
| Storage temperature | - 35°C...+ 80° C senza ghiaccio |
| Transducer Frequency | 230kHz |
| Material | PBT |
| Diameter/Dimension | Cubic |

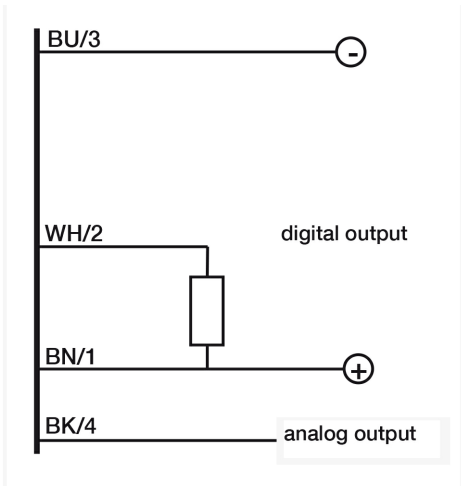
Test/Approvals

| | |
|-----------------------|-----------------------|
| Approvals | CE cULus |
| EMC compatibility | IEC 60947-5-2 |
| Shocks and vibrations | IEC EN60947-5-2 / 7.4 |
| Degree of protection | IP67 |

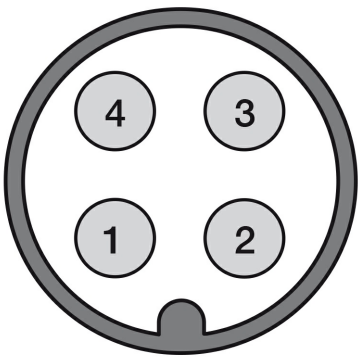
Accessories

| | |
|----------------------|-------------|
| Supplied Accessories | 1 M18x1 nut |
|----------------------|-------------|

ELECTRICAL DIAGRAMS OF THE CONNECTIONS

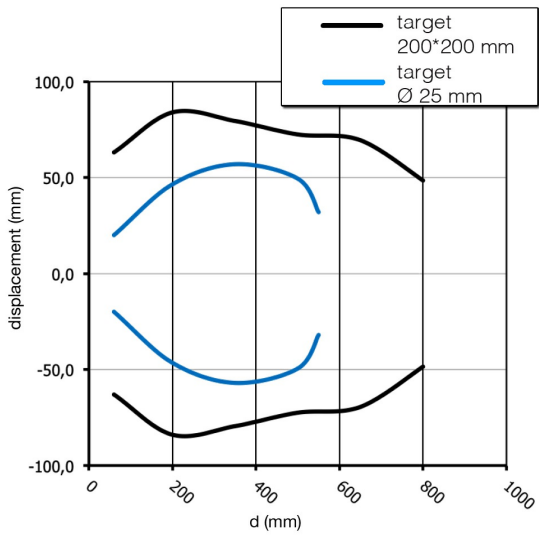


CONNECTOR



RESPONSE CURVES

Disassamento Parallelo



Strada S.Caterina, 235
41122 Modena (MO)
Tel. 059 420411
Fax 059 253973
E-mail info@microdetectors.com

03/04/2020 05:28:56