



DPM02

Multifunction Signal Display Monitor

Signal / Meter

www.eyc-tech.com



Features

- Measuring input type : DC current / DC voltage
- More output type: Analog output / Relay / RS-485
- Extraction of square root (Input : voltage, current)
- Option RS-485 communication function can do 10-point linear calibration function
- Signal isolation, preventing noise, filtering function : Provide safe and stable measuring
- Power supply : AC 85 .. 253 V, 50 ... 60 Hz; Auxiliary supply output (DC 18 ... 26 V / 50 mA) : Use for 2-wire & 3-wire transmitter
- User-friendly, interactive operation interface
- Panel installation, high light red LED display panel, 14.1 mm height of character, 5 digits, -9.9.9.9 ... +9.9.9.9.9, 7-segment display
- Programmable, high safety & stability, fire-proof case, moisture-proof cover
- Plug-in installation design for easy maintenance

Application

- Industry / Agriculture / Pottery & glass / Chemical Industry / Transportation / Technology / Energy / Eco-friendly / Oil & gas / Water circulation system / Marine / Factory automation / Metal & steel / Cement / Pulp & paper / Pharmaceuticals / Food & beverage

Specification

Display

| | |
|--------------------------------|---|
| Display readout | 5 digits(-9.9.9.9 ... +9.9.9.9) |
| Decimal point | 0 ... 4 place, button |
| Display | Highlight red LED(Brightness can be adjusted), digit height 14.1 mm |
| Accuracy | 0.1%F.S.±1 digital |
| Sampling time | 4 cycle/sec |
| Response time adjustment range | 0.5 ... 60 sec |
| Parameter setting mode | Button |

Input

| | |
|-------|---|
| Input | Current:0 ... 20 mA / 4 ... 20 mA |
| | Voltage:0 ... 10 V / 2 ... 10 V / 0 ... 1 V / 0.2 ... 1 V / 1 ... 5 V |

Output

| | |
|---------------|---|
| Analog output | Current:0 ... 20 mA / 4 ... 20 mA / 20 ... 0 mA / 20 ... 4 mA |
| | Voltage:0 ... 1V/0.2 ... 1V/0 ... 5V/1 ... 5V/0 ... 10V/2 ... 10V/1 ... 0V/1 ... 0.2V/5 ... 0V/5 ... 1V/10 ... 0V/10 ... 2V |

Analog

| | |
|--------------------------|-------------------------------------|
| Load resistance | Current:RL < 500 Ω; Voltage ≥ 10 KΩ |
| Analog output resolution | 12 bit |
| Signal error detection | Yes |

Relays

| | |
|-------------------------------|--|
| Alarm hysteresis | Display value or 0 ... 100% |
| ON and OFF delay | 0 ... 3600 sec |
| Output signal error detection | Yes |
| Relay actuation direction | Upper limit: HI / AL; Lower limit: LO / AL |
| Relay capacity | Max current: 6 A |
| | Max voltage: AC 277 V / DC 30 V |
| | Max power: 1500 VA / 180 W |

Communication

| | |
|----------------------------------|------------------------------------|
| Communication methods & protocol | RS-485 Modbus RTU, master or slave |
| RS-485 baud rate | 9600、19200、38400、57600、115200 bps |

Environment

| | |
|-----------------------|---|
| Operating environment | -10 ... +60°C; 0 ... 95%RH(Non-condensing) |
| Storage environment | -25 ... +60°C |

Electrical

| | |
|------------------------------|--------------------------------|
| Power supply / Voltage | AC 85 ... 253 V / 50 ... 60 Hz |
| Auxiliary power / Output | DC 18 ... 26 V / 50 mA |
| Insulation voltage endurance | 2 K Vac/1 min |
| Parameter memory type | FLASH |
| Dissipated power | 5 W |

Isolation

| | |
|--|--|
| Power supply / Analog input / Analog output / RS-485 | |
|--|--|

Protect

| | |
|---------------------|--------------------------------------|
| IP rating | IP65(Front panel) |
| Electric protection | ■ Polarity protection ■ Over-voltage |

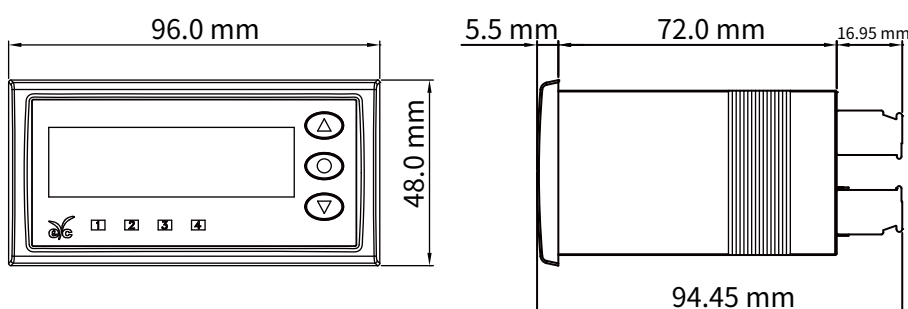
Certification

| | |
|------------------|---|
| CE Certification | |
| Emission | EN 61326-1:2013 |
| | CISPR11:2009+A1:2010 Group 1 Class B |
| | EN 61000-3-2:2014 |
| | EN 61000-3-3:2013 |
| Immunity | EN 61326-1:2013 IEC 61000-4-5:2014 |
| | IEC 61000-4-2:2008 IEC 61000-4-6:2013 |
| | IEC 61000-4-3:2006+A1:2007+A2:2010 IEC 61000-4-8:2009 |
| | IEC 61000-4-4:2012 IEC 61000-4-11:2004 |

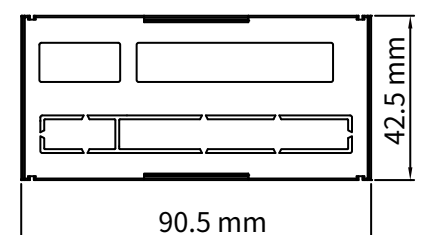
Material

| | |
|--------------------|-------------------------------|
| Case | ABS fire-proof class(UL94V-0) |
| Dimensions(HxWxD) | 48x96x94.45 mm |
| Cut out dimensions | 42.5x90.5 mm(+1 mm) |
| Weight | About 230 g |

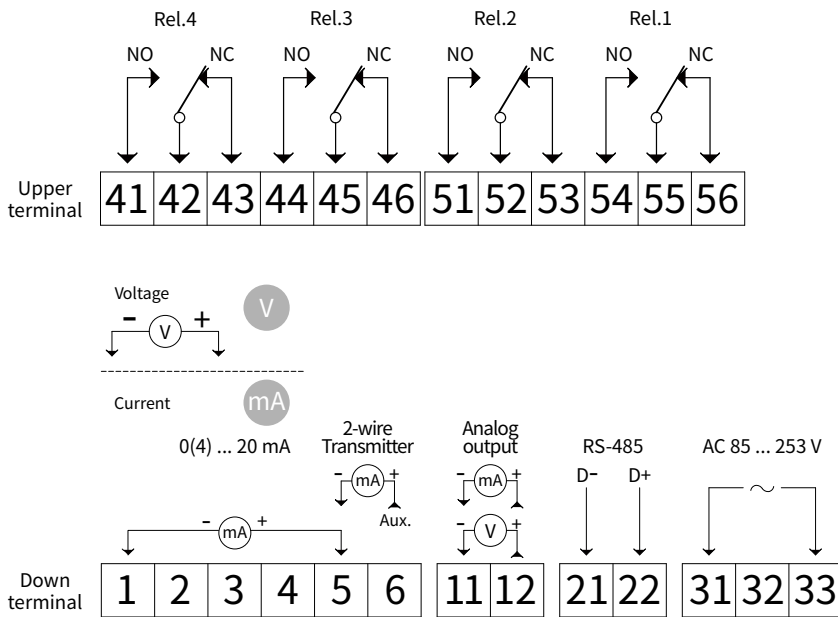
Dimension



Installation Dimension

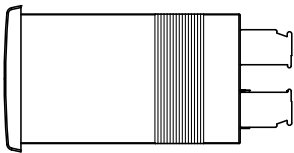


Diagram

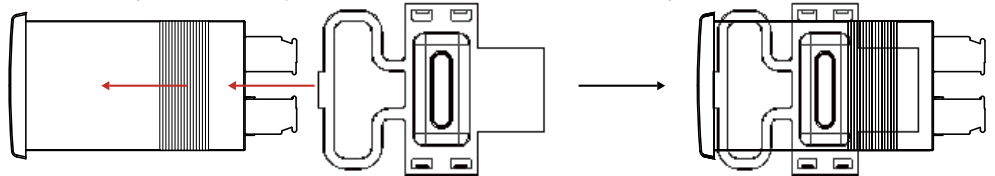


Installation

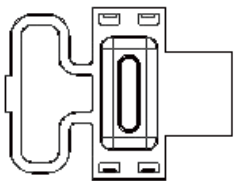
■ Side



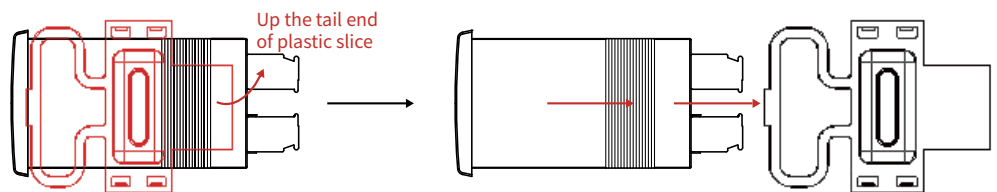
■ Fixed way : Push the plastic fixed slide in horizontally



■ Plastic fixed slice



■ Remove way : Up the tail end of plastic slice, then pull it out



Programmable

- Tool: PC, USB to RS-485 converter, Power supply
- Software: DPM UI
- Calibration Function: analog output / DC voltage & DC current / Linear adjustment / Extraction of square root



PC



CR-8001
USB to RS-485
Converter



DPM02



DPM02



DPM02

Transmitter
(Temp. & Humidity / Dew
point / Air velocity / Flow /
Gas / Pressure / Differential
Pressure and so on)



Ordering Guide

| Type | DPM02 - | BA |
|--------|--------------------------------------|----|
| Output | Display | AA |
| | Display+2 Relay | BA |
| | Display+4 Relay | CA |
| | Display+2 Relay+Analog output+RS-485 | DA |
| | Display+4 Relay+Analog output+RS-485 | EA |