



Level / Water level

## Submersible Level Transmitter

# L054

High performance piezoresistive pressure oil-filled core  
Suitable for various liquid level measurement solutions

### | Features |

- Piezoresistive pressure sensor.
- Throw in type, fast and easy method to measuring.
- Multiple protective structure design, high protection ability.
- Stainless steel can meet the requirements of various occasions or industrial harsh environment.
- High accuracy, good performance, stable and reliable.
- With eYc SD03 to local display the liquid level data.

### | Introduction |

**L054** The submersible liquid level transmitter is a high-performance pressure sensor used as a measuring component to convert the liquid level depth into a current or voltage signal output through a circuit, and the output signal is proportional to the liquid depth. Directly into the liquid measurement, the height of the liquid from the end of the conveyor to the liquid level can be measured. It is suitable for liquid level measurement and control in the fields of petroleum industry, chemical industry, power plant, water supply plant and hydrological exploration.



Application :

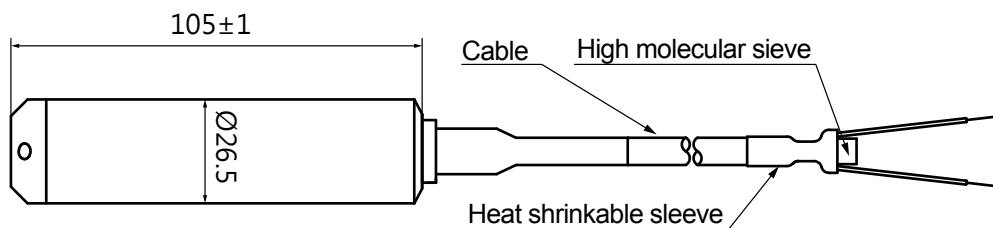
Barrel / Sewage / Industrial water / Pool /  
Well / River / Sea / Lake



## | Specification |

Item	Function & Parameter
Measuring range	0 ... 20 bar
Supply & output	4 ... 20mA ( 18 ... 36V ) 1 ... 5V, 0 ... 5V, 0.5 ... 4.5V, 0 ... 10V ( 12 ... 32V )
Operating Temp.	-20°C ... 85°C
Medium Temp.	-10°C ... 70°C
Storage Temp.	-40°C ... 125°C
Compensated Temp.	0 ... 0.1 bar ; 0 ... 60°C 0 ... 20 bar ; -10 ... 70°C
Zero Temp. /Span Temp. coefficient	±1.5%F.S. (within compensated Temp.)
Overpressure	200 ... 300%F.S. ( 300% F.S. : 10M or less ; 200% F.S. : 10M or more)
Mechanical vibration	20g ( 20 ... 5000HZ )
Impact resistance	100g ( 11ms )
Accuracy	0.5% F.S.
Response time	≤1ms
Long term stability	±0.2% F.S./year
IP rating	IP68
Material	Housing / Wetted parts stainless steel SS316 Cable PE, Teflon
Medium	All kinds of media compatible with stainless steel 316

## | Dimension | Unit:mm

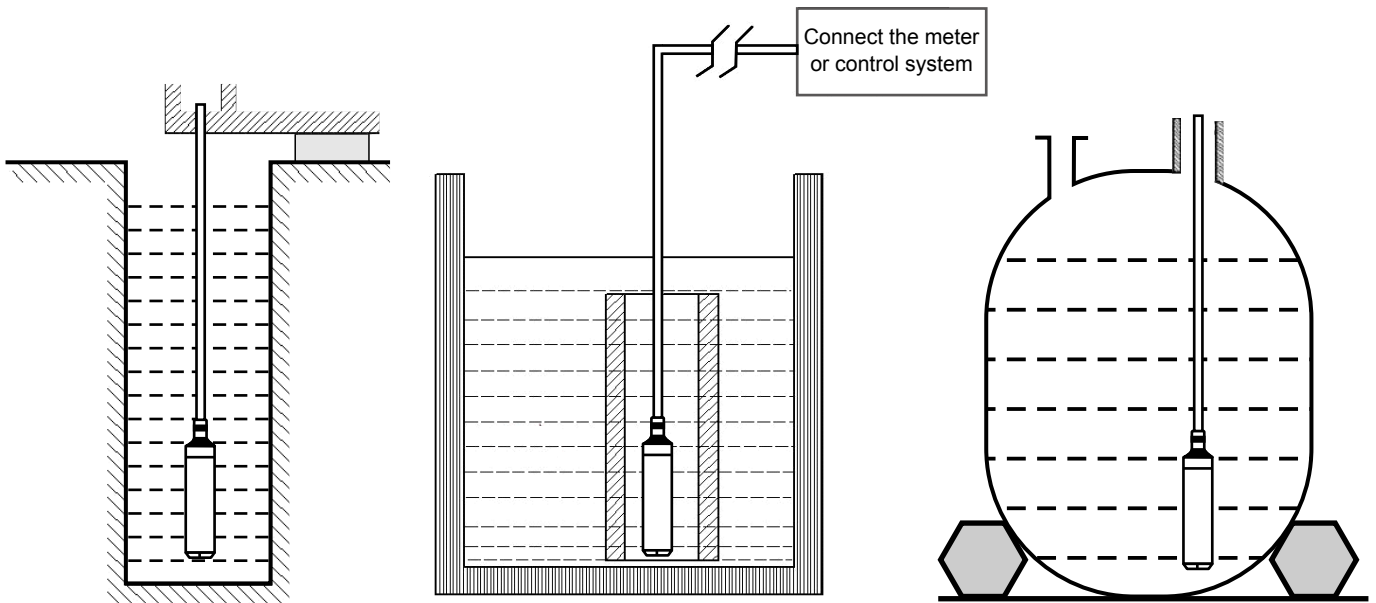


## Submersible Level Transmitter

### | Installation diagram |

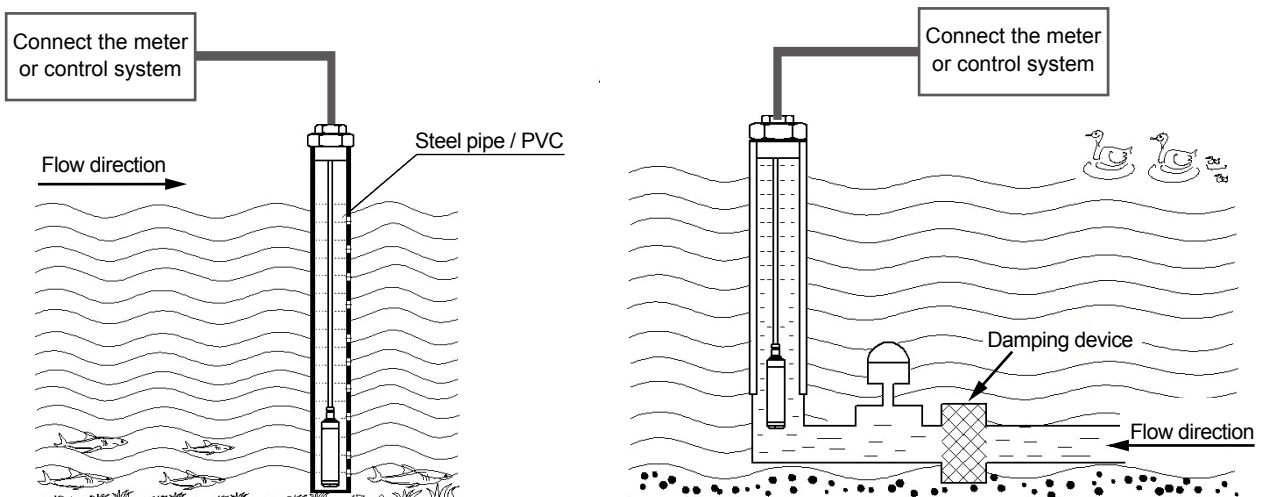
【Still water flow installation, for example, deep wells, pools, tanks】

1. When measuring the level of the stationary fluid, place the level transmitter vertically into the bottom of the water and fix the cable and junction box of the transmitter at the opening part of the deep wells, pools, water tanks.
2. When the medium is thick viscosity (such as sewage pool), can be fitted with a sleeve or bracket, to ensure that the transmitter can sink to the bottom of the water.



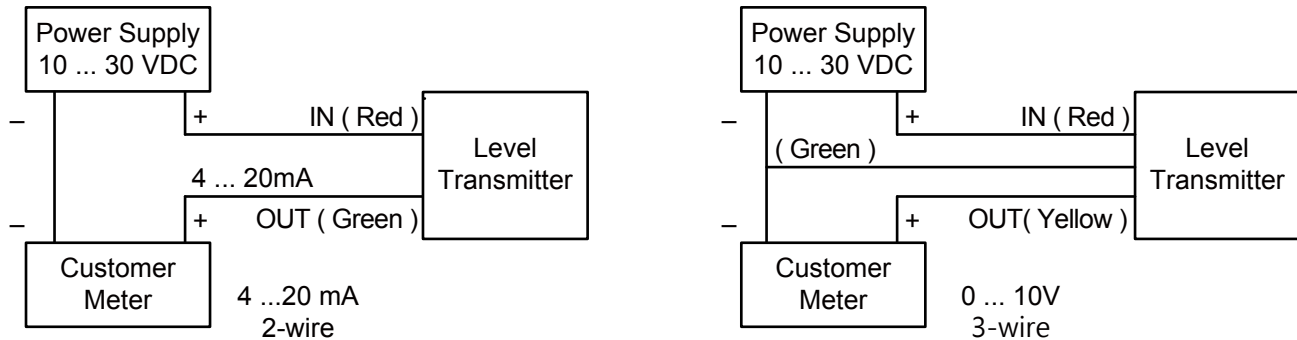
【Moving water installation, for example : rivers, lakes, etc.】

1. When measuring the water level in flowing water, when the medium fluctuates greatly, a steel pipe can be inserted in the water channel with an inner diameter of about 50 cm. Make several holes of about  $\varnothing 5$  in diameter on the side of the immersed pipe opposite to the flow direction to allow water to enter the pipe and fix the cable and junction box at the outlet of the pipe.
2. When the medium of the water channel fluctuates greatly or the sediment is large, a damping device can be installed to filter the sediment, eliminate the adverse effects of dynamic pressure and wave and ensure the measurement accuracy.



## Submersible Level Transmitter

### Connection Diagram



### Notice

1. Do not touch the diaphragm with hard objects, which may cause damage to the diaphragm.
2. Please carefully check the relevant information of the product before installation, and strictly follow the wiring method. Otherwise, it will cause product damage and other potential failures. Incorrect use will lead to danger and personal injury.

### Ordering Guide

	Pressure range	Output	Cable length	Cable Material	Options
L054 -	<b>06</b>	<b>1</b>	<b>08</b>	<b>1</b>	<b>W</b>
	01 : 0 ... 0.1 bar 02 : 0 ... 0.16 bar 03 : 0 ... 0.25 bar 04 : 0 ... 0.4 bar 06 : 0 ... 0.6 bar 11 : 0 ... 1 bar 12 : 0 ... 1.6 bar 13 : 0 ... 2.5 bar 14 : 0 ... 4.0 bar 16 : 0 ... 6.0 bar 21 : 0 ... 10 bar 22 : 0 ... 16 bar	1 : 4 ... 20mA 5 : 1 ... 5V 6 : 0 ... 10V 7 : 0 ... 5V 9 : 0.5 ... 4.5V	03 : 3 m 04 : 4 m 05 : 5 m 06 : 6 m 08 : 8 m 12 : 12 m 18 : 18 m 27 : 27 m 42 : 42 m 62 : 62 m A2 : 102 m 00 : Customization	1 : PE 2 : Teflon	Other request

### Additional option ( ILAC / TAF ) Test report



Additional option : Yuden standard calibration laboratory test report (TAF accreditation: 3032) complying with ISO /IEC 17025. TAF has mutual recognition arrangement with ILAC MRA

Project	Measurand level or range
Pressure gauge	Gauge pressure : 10 ... 7000kPa(5 basic points or 3 basic points)
	Absolute pressure : 20 ... 170kPa(5 basic points or 3 basic points)