

ON-OFF VALVE ACTUATOR

(GEA- 20A, 35A, 55A, 100A, 250A)



GENERAL

These models are very excellent to generate various thrust by accelerating gear, and power supply equipment which using the turning power of synchronous motor. It is usually used with 2-way and 3-way Globe valves for Heating Ventilating Air Conditioning system.

Robust design, High enclosure, and Reliable operating.

TYPE SUMMARY

It is operated by 24V voltage or 220V AC voltage. And also possible to make sub-limit switch.

Model	Nominal stroke (mm)	Nominal Force (N)
GEA-20A(S)	20	2000N (2.0KN)
GEA-35A	40	3500N (3.5KN)
GEA-55A(S)	70	5500N (5.5KN)
GEA-100A(S)	70	10000N (10.0KN)
GEA-250A(S)	80	25000N (25.0KN)

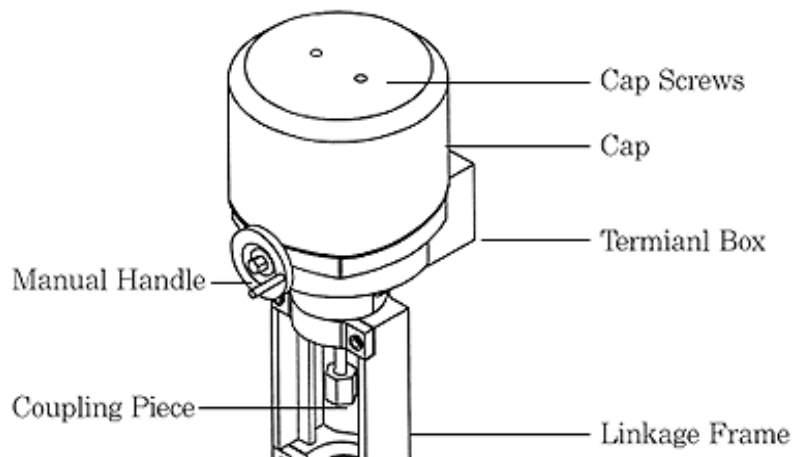
Valve	Type	Series(GVS, GXS, GVF, GXF)
2-way	Single Seat	10K, 16K, 20K
3-way	Mixing, Diverting	10K, 16K, 20K

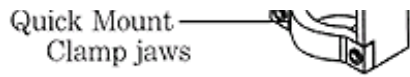
TECHNICAL DATA

Model/(Optional)	GEA-20A	GEA-20AS	GEA-35A	GEA-55A	GEA-55AS	GEA-100A	GEA-100AS	GEA-250A	GEA-250AS
Nominal Stroke (mm)	20		40	70		70		80	
Nominal Force (N)	2000		3500	5500		10000		25000	
Operating Time (Sec)	50(0.4mm/s)	28	100(0.4mm/s)	94(0.75mm/s)	50	94(0.75mm/s)	50	210(0.38mm/s)	110
Power Supply(V)	24V(220V) AC. $\pm 10\%$							220V(110V)	
Frequency (Hz)	60(50)								
Motor Speed (RPM)	600			1800(1550)		1600		1250	
Regular Load(A)	0.5(0.075)			2.1(0.25)		3(0.35)		1	
Condenser (μ F)	34(0.474)			150(5)		210(5)		6	
Power Consumption (VA)	12(16.5)			51(55)		72(77)		220	
Control Signal	CW/CCW								
Control Output	2 x Open / Close 3A					2 x Open / Close 10A			
Motor Efficiency	S4-30% ED-c/h 600, EN 60034-1								
Operation Temp.	:-15 ~ 60°C								
Transportation Temp.	:-30 ~ 65°C								
Insulation Class	E (IEC)								
Ambient Humidity	5 ~ 95% Rh								
Housing Protection Grade	IP 54				IP65				
Conduit Entries	PF $\frac{1}{2}$ x 2EA								
Weight(Kg)	3.2/3.5		3.3/3.6	10.4/11.2		11.6/12.4		21.3/22.6	

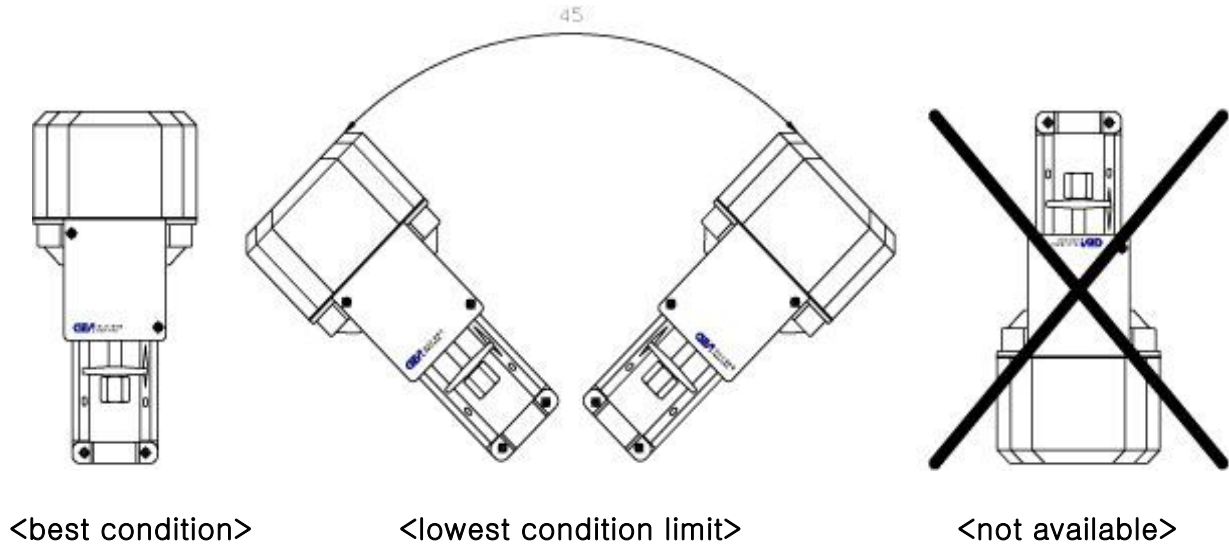
DESIGN FEATURE

- ▶ Assembling actuator and valve requires neither special tools nor adjustments.
- ▶ Blocking proof gear train with self-lubricating bearings.
- ▶ Manual operation with automatic resetting to control operation.
(When motor operate, Manual handle returns to its own position for electric operation.)





MOUNTING AND INSTALLATION GUIDE

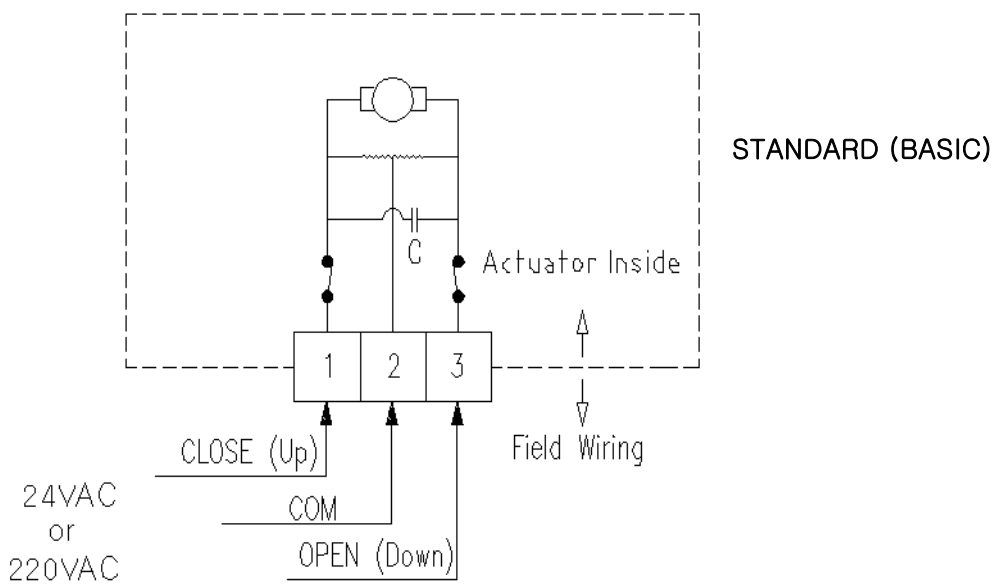


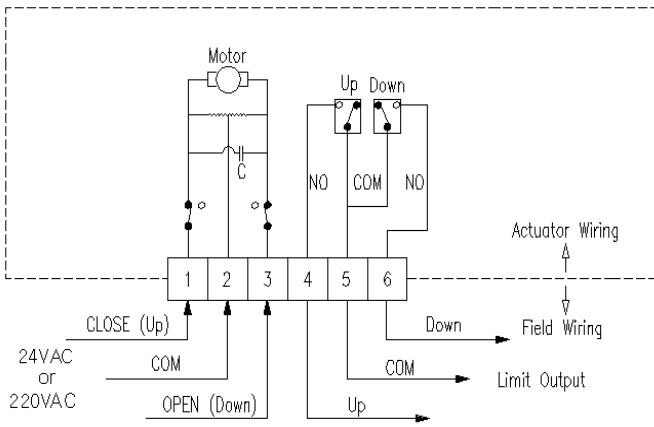
COMMISSIONING NOTES

Before commissioning, check wiring and features first and test later.

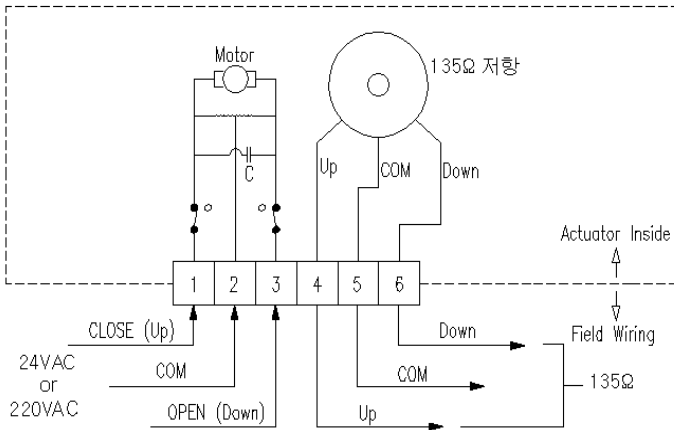
- *Coupling Piece : moving (Down) toward to valve : open valve
- *Coupling Piece : moving (Up) toward to Actuator : close valve

WIRING DIAGRAM



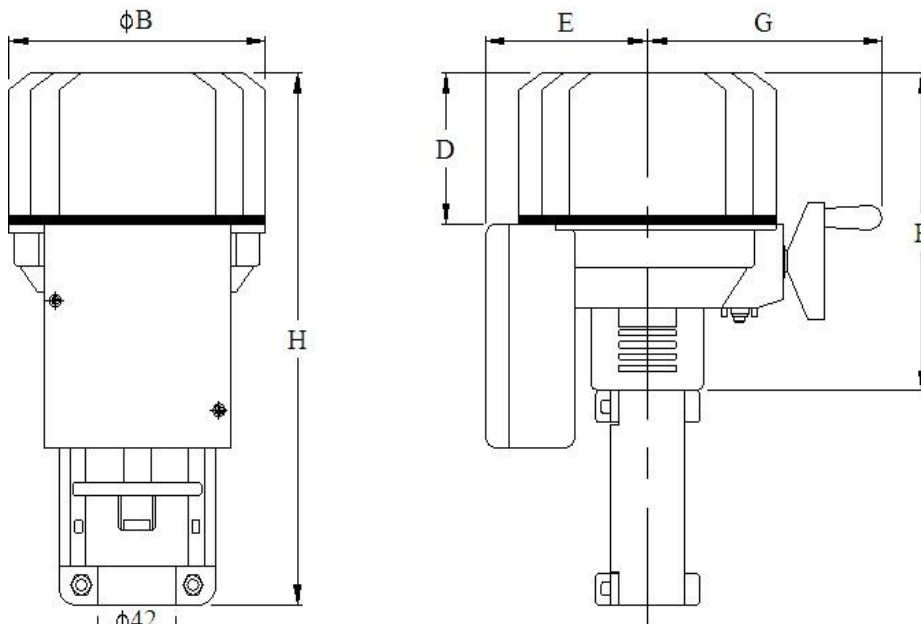


OPTION (Limit Switch / Output)



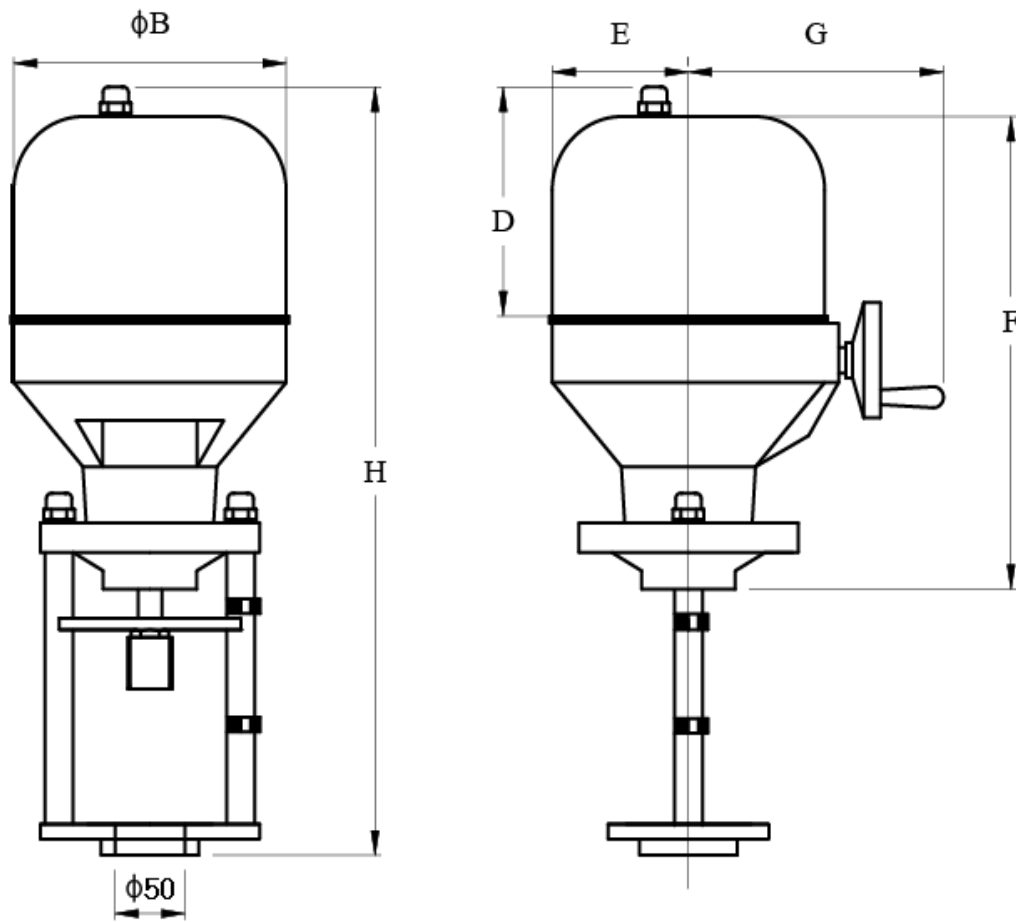
OPTION (0~135Ω /Output)

DIMENSION





<GEA-20A, 35A>



< GEA-55A, 100A, 250A >

Model	GEA-20A(S)	GEA-35A	GEA-55A(S)	GEA-100A(S)	GEA-250A(S)
ϕB	138	138	196	196	248
H	269	297	503	541	588
D	72	73	154	154	147
F	160	161	299	299	334
E	88	89	98	98	120
G	124	123	173	173	206