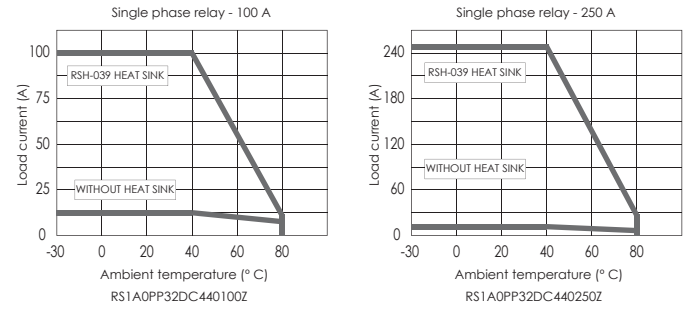




Load current vs. ambient temperature



- » AC Solid state relay, zero crossing.
- » Input range: 3 - 32 VDC.
- » Maximum load current (AC1 at 25° C): 100, 150, 250 A.
- » Operational ratings: 40 - 400 VAC.
- » Frequency range: 50 - 60 Hz.
- » Maximum non-repetitive peak voltage: 930 Vp.
- » LED indicator.

References

Control voltage	Operational voltage	Operational current	Reference	Reference heat sinks
3 - 32 VDC	40 - 440 VAC	100 A	RS1A0PP32DC440100Z	RSH-039
		150 A	RS1A0PP32DC440150Z	RSH-039
		250 A	RS1A0PP32DC440250Z	RSH-039

Over 10 A load a heat sink must be used. The use of a heat sink will make the lifetime of the relay up to four times longer, even when using it with load currents lower than 10 A.

General specifications

Dielectric insulation (between input & output)	2.500 VAC
Operating temperature	-30 °C to 80 °C
Storage temperature	-45°C to 85 °C
Ambient humidity	Operating: up to 85 %
CE marking	Yes

Input specifications

Control voltage range	3 - 32 VDC
Input current (max)	6/35 mA @= 3 V / 32 V
Pick-up voltage	3 VDC
Drop-out voltage	1 VDC
Maximum reverse voltage	32 VDC
Max. response time pick-up (50Hz)	10 ms
Max. response time drop-out (50Hz)	10 ms

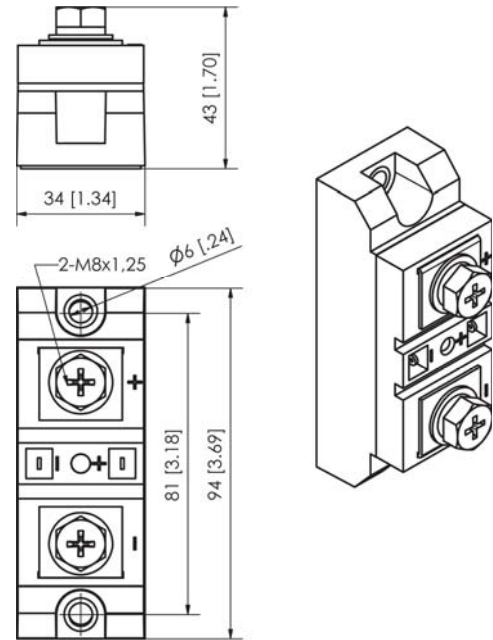
Output specifications

Maximum load current (AC51 @ Ta = 25° C)	100, 150, 250 A
(AC53a @ Ta = 25° C)	5, 15, 18, 20 A
Load voltage range	40 - 440 VAC
Frequency range	50 - 60 Hz
Max. non-repetitive peak voltage	930 Vp
Max. non-repetitive peak current (t=10ms)	1.100 Ap/100 A 2.200 Ap/250 A 1450 Ap/150 A
Maximum off state leakage current	10 mArms
Minimum off state dv / dt	500 V / useg
Maximum on state voltage	1,6 VAC
Minimum load current	0,05 Arms
I ² t (10 ms) (orientative data)	6.050 A ² s (100A) 24.200 A ² s (250A) 10.500 A ² s (150A)

Housing specifications

Dimensions (L x W x H mm)	94 x 34 x 43
Weight	235 gr
Baseplate	Aluminum, nickel-plated
Control terminal (M3x6) torque	1,0 Nm
Power terminal (M5x9) torque	2,4 Nm

Dimensions (mm. inch)



Diagram

